

# ATAG

ATAG Q. The new quality standard in heating

Highest efficiency in the market

110.9% according to RAL UZ61

Efficiency at a temperature range of 23/26°C

New stainless steel heat exchanger

For continuous high efficiency  
and reliability

Fast and plentiful hot water

Depending on the type of combi  
up to 23.2 l/min at 38°C

Cascade solutions

Multiple flue options with  
PP Overpressure systems  
Hydraulic systems  
Cascade / zone controller

A guaranteed long life

5 year guarantee on the heat exchanger

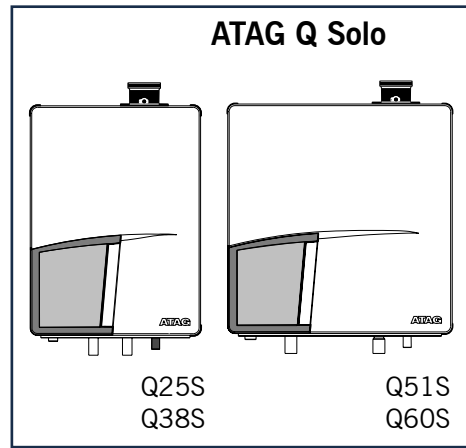
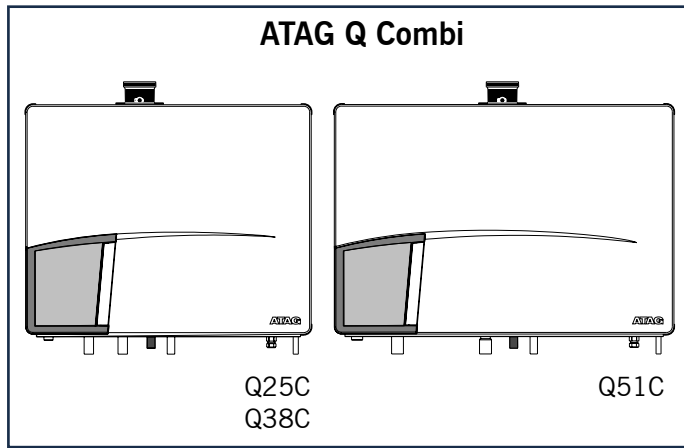
www.atagheating.co.uk

Q  
ATAG



## Q-Boilers

ATAG Heating UK Ltd [OEM] • Unit 3 Beaver Trade Park Quarry Lane  
Chichester West Sussex PO19 8NY • T: 01243 815770 • E: info@atagheating.co.uk



Boiler type		ATAG Q-Serie						
		Combi			Solo			
		Q25C	Q38C	Q51C	Q25S	Q38S	Q51S	Q60S
Input Hs CH	kW	25	38	51	25	38	51	60
Q <sub>n</sub> Input Hi CH	kW	22,5	34,2	45,9	22,5	34,2	45,9	54
Q <sub>mw</sub> Input Hi DHW		31,5						
Efficiency class according BED		★★★★	★★★★	★★★★	★★★★	★★★★	★★★★	★★★★
Efficiency according EN677 (36/30°C part load, Hi)	%	109,7	109,1	109,3	109,7	109,1	109,3	109,3
Efficiency according EN677 (80/60°C full load, Hi)	%	97,5	97,4	97,3	97,5	97,4	97,3	97,3
Modulation range CH (capacity 80/60°C)	kW	6.0 - 21.9	6.0 - 33.3	8.8 - 44.7	4.4 - 21.9	6.0 - 33.3	8.8 - 44.7	8.8 - 52.5
Modulation range CH (capacity 50/30°C)	kW	6.8 - 23.9	6.8 - 36.3	9.8 - 48.7	4.9 - 23.9	6.8 - 36.3	9.8 - 48.7	9.8 - 57.3
Nox class EN483		5						
CO <sub>2</sub>	%	9						
Flue gas temp. CH (80/60°C on full load)	°C	68	69	70	68	69	70	70
Flue gas temp. CH (50/30°C on low load)	°C	31						
Gas consumption G20 CH (DHW) (at 1013 mbar/15°C)	m <sup>3</sup> /h	2,38 (3,33)	3,62	4,86	2,38	3,62	4,86	5,71
Electr. power consumption max.	W	106	165	150	106	165	150	168
Electr. power consumption stand by	W	10						
Current	V/Hz	230/50						
Fuse rating	A	5						
Degree of protection acc. EN 60529		IPX0D						
Weight (empty)	kg	79	79	89	50	53	64	64
Width	mm	840	840	1000	500	500	660	660
Height	mm	680						
Depth	mm	385						
Water content CH	l	5	5	7	3,5	5	7	7
Water content DHW	l	14	14	14				
After run time pump CH	min	5						
After run time pump DHW	min	1	1	1				
P <sub>MS</sub> Water pressure min./max.	bar	1/3						
P <sub>MW</sub> Water pressure DHW max.	bar	8						
Flow temperature max.	°C	85						
Pump type	UPER	20-60	20-70	20-70	20-60	20-70	20-70	20-70
Available pump height CH	kPa	29	20		32	22		
Label		Sedbuk A rate						
DHW flow (at 38°C)	l/min	13,4	16,6	23,2				
DHW flow (at 60°C)	l/min	7,5	9,3	13				
DHW temperature (T <sub>in</sub> =10°C)	°C	60	60	60				
CE product identification number(PIN)		0063BQ3021						



Experience the comfort

[www.atagheating.co.uk](http://www.atagheating.co.uk)