



Installation Guide

for 2 Port Motorised Valve

Application

Designed to control the flow of water in a small bore domestic central heating system where both radiator and hot water cylinder circulation are pumped.

Installation

Before fitting the valve, read through the plumbing and wiring instructions.

This product **MUST** be installed by a competent person. The installation **MUST** conform to I.E.E. Regulations and with The Electricity at Work Regulations. A Class 'A' switch (having contact separation of at least 3mm in all poles) must be incorporated in the fixed wiring as a means of disconnecting the supply. The system must be appropriately fused.

Wiring

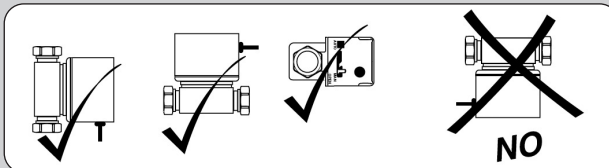
The diagram below shows the wiring arrangement for Center controls only.

Plumbing

The valve may be plumbed in at any angle but must not be mounted so that the valve head is below the horizontal level of the pipework. In the unlikely event of a leak a safety hazard could result.

Do not grip the valve head while making and tightening up plumbing connections. Attach a spanner (32mm or 1 1/4" AF) onto the valve body at each port, whilst tightening up the nuts. Tighten compression nuts enough to make a watertight seal.

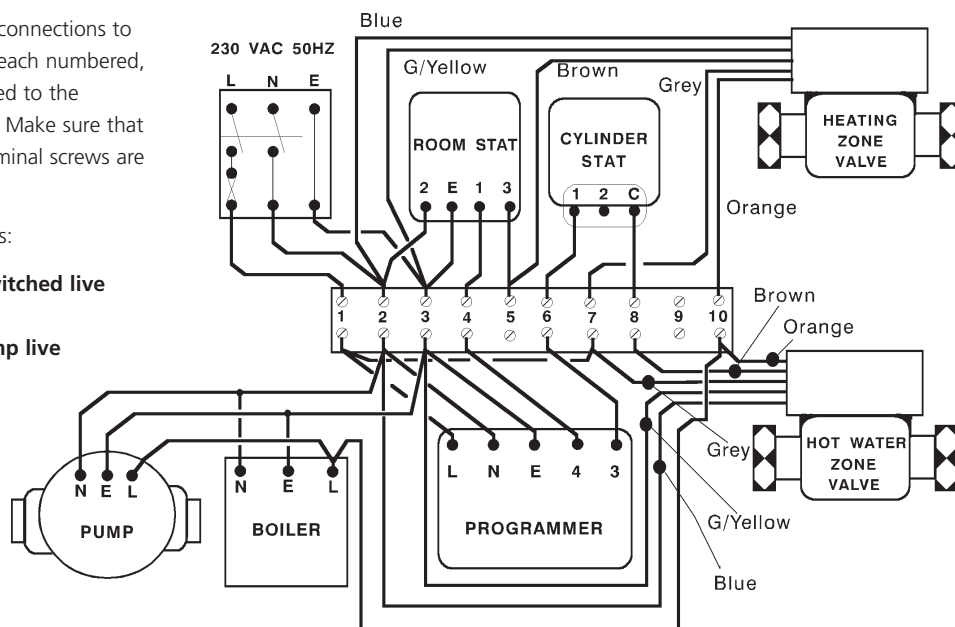
TAKE CARE NOT TO OVERTIGHTEN.



Wiring diagram shows the relevant connections to a 10 way junction box. Ensure that each numbered, lettered or coloured wire is connected to the correct terminal in the junction box. Make sure that all connections are good and all terminal screws are firmly tightened.

Valve wiring configuration as follows:

- Brown** = Thermostat switched live
- Blue** = Neutral
- Orange** = Boiler and pump live
- Green/Yellow** = Earth



The valve incorporates a manual lever, the lever should normally be in 'AUTO' position, but can be moved to 'MAN OPEN' position for system drain down and filling purposes only.

Before fitting the valve, read through the plumbing and wiring instructions. This product **MUST** be installed by a competent person. The installation **MUST** conform to I.E.E. Regulations and with The Electricity at Work Regulations.

A Class 'A' switch (having contact separation of at least 3mm in all poles) must be incorporated in the fixed wiring as a means of disconnecting the supply. The system must be appropriately fused.

Checkout procedure

To ensure the valve is plumbed and wired correctly, carry out the following checks after filling the system and switching on the power.

1. Check manual lever is in 'AUTO' position.
2. Check programmer has power
3. Check boiler is switched on and its thermostat set to maximum
4. Confirm correct hot water functions as follows
 - a. Turn room thermostat to minimum setting or switch off at programmer
 - b. Set cylinder thermostat to maximum and programmer to 'HOT WATER ON'
 - c. Boiler should fire and pump should run. Feel pipe approximately 12" from hot water valve, it should get hot.
5. Confirm correct heating functions as follows:
 - a. Turn cylinder thermostat to minimum or switch off at programmer.
 - b. Set room thermostat to maximum and programmer to 'CENTRAL HEATING ON'
 - c. Boiler should fire and pump should run. Feel pipe approximately 12" from central heating, it should get hot.

Completion

Reset both thermostats to temperature required, normally 60°C for cylinder thermostat and 20°C for the room thermostat. Return programmer to 'Auto' or mode selected by householder.

Specifications

Voltage:	230-240V ~ 50Hz
Power consumption:	6W
Lead supplied:	1 metre, 5 core
Operating temperature range:	+5 to +88°C
Maximum ambient temperature:	+ 52°C
Pipe fitting sizes:	22mm compression fitting

Whilst Wolseley UK takes all practicable steps to design and manufacture its products to comply with the requirements of the Health and Safety at Work Act 1974, all products must be properly used and Purchasers are reminded that their obligations under the Act are to ensure that the installation and operation of such products at a place of work should be safe and without risk to them.

Wolseley UK reserve the right at any time and without notice to change any product or information contained in this publication.

The wiring diagrams and installation instructions in this publication are provided for guidance purposes when installing recognised standard systems only. Any application of this product not shown here, or any deviation from these instructions, is neither recommended nor advised.

For further information telephone 0870 8506538

Whilst every care has been taken to ensure that the information included in this document was accurate at the time of printing, we reserve the right to change specifications at any time. The photographs reproduced in this publication are within the constraints of the printing process and are NOT to be used for matching purposes. E&OE.

a **WOLSELEY** company

Ref: 4277

