

IMPORTANT

Please familiarise yourself with the fitting instructions before commencing fitting

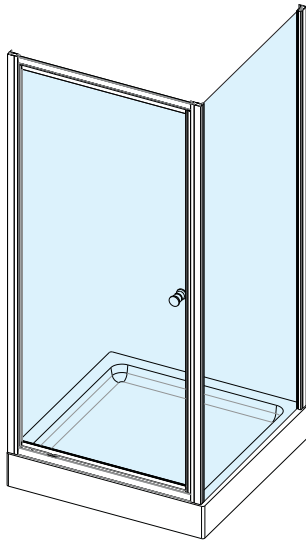
- 1 Check that you have the tools required
- 2 Check that the installation site is compatible with size of door supplied
- 3 Check all the enclosure components
- 4 Check that the installation kit is complete

DO NOT attempt to install the product unless you can tick **ALL 4** boxes as satisfactory

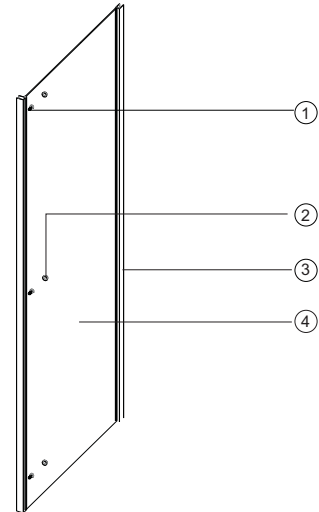
The wall plugs supplied with the installation kit are for use in solid walls. Hollow or "stud - partition" walls will require alternative fixings. Please consult a hardware supplier for the correct type. It may also be necessary to consult your tiling supplier about the correct method for drilling your tiles.

USE SAFETY EYEWEAR WHEN DRILLING

Any parts missing or damaged must be reported to your supplier within 5 days of purchase. Inspect shower enclosure before fitting. No claims will be accepted after product has been installed.



Sizes	Tray Finish
700	650-700
760	710-760
800	750-800
900	850-900



No.	Description	Qty	Part No
1	Screw (4x16)	3	2SY50
2	Cover cap	3	C070
3	Upright profile	1	C001
4	Fixed panel	1	A

Note: Further part details for fixing kit available on Page 2

FIXING KIT COMPONENTS, TOOLS REQUIRED, SITE CONDITIONS

Fixing Kit components
parts shown are not to scale



2SY50
x3

C070
x3

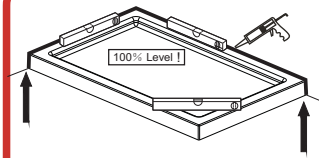
Tools required

- 6mm masonry drill bit
- Power drill
- Quality silicone
- Pencil
- Tape measure
- #2 Philips head screw driver
- Spirit level with horizontal and vertical level indicators

IMPORTANT - Installation Site

1. Ensure the top surface of the shower tray on which the enclosure will be installed is level in every direction.
2. The tiling or other wall finishing should be effectively sealed at the tray edges.
3. Tiles should extend at least to the corners of the tray and a minimum of 1.9 metres from the top of the tray.

INSTALL FIXED PANEL AND GUIDING RAIL



TRAY MUST BE 100% LEVEL IN ALL DIRECTIONS

Ensure the shower tray is level in all directions and is properly sealed to the wall. The wall must be tiled down to the top edge of the tray. **Do not angle out bottom tile.**

TRAY MUST BE SEALED FULLY AROUND WHERE THE TRAY MEETS THE WALL.

Note:

For installation of the Pivot door, Bifold door or Sliding door, please see the door instruction manual. Recommended that the pivot door is hinged from a supporting wall and not the side panel.

Step 1

Position the assembled door and side panel (with wall profile fully pushed into frame) onto the tray and decide on the step in from the edge of the tray to the wall profiles. Wall profile can be adjusted out until door is positioned correctly on the tray.

IMPORTANT:

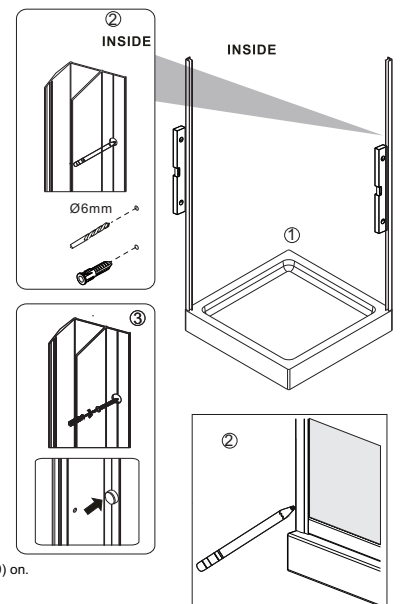
Ensure door magnets close properly. Ensure full door frame is positioned correctly in from the edge of the tray before drilling holes in wall for attaching the wall profiles.

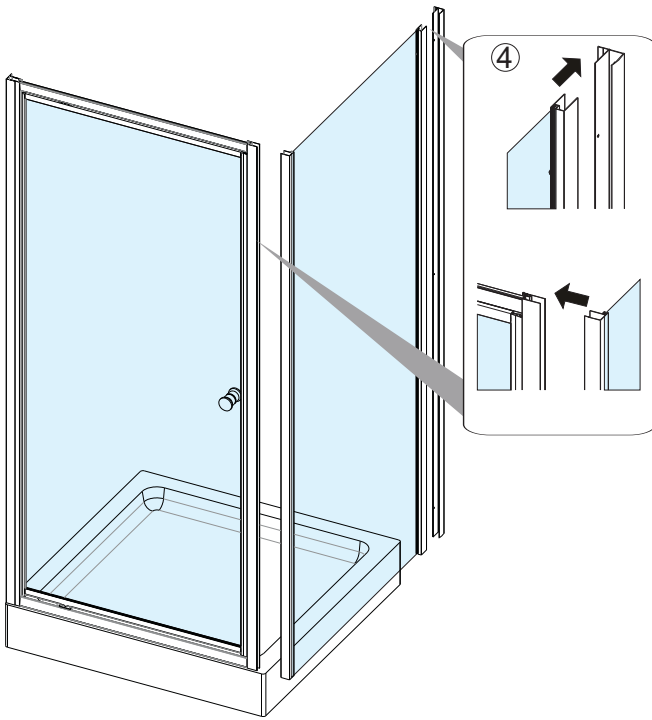
Step 2

Remove frame from tray. Position the wall profiles back on the tray. Ensure the wall profiles are plumb. Mark the position for fixing the wall profile to the wall. Drill with 6mm Masonry drill bit and insert wall plugs (2SP12).

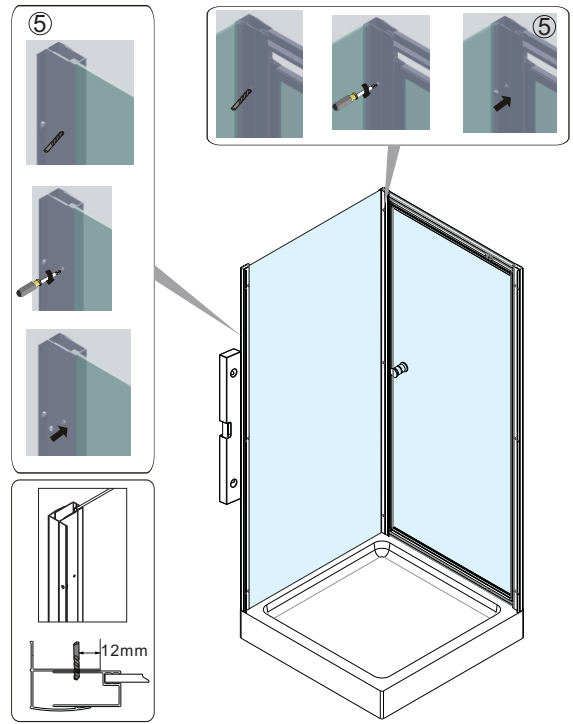
Step 3

Fix the wall profile (C003) to the wall with screws (2SY51), then put the cover caps (C070) on.





Step 4
 Insert the side panel into the wall profile and also into the frame of the door.
 Adjust so it is positioned correctly on the tray.



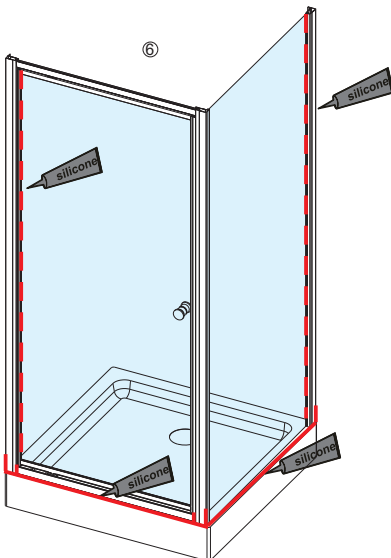
Step 5
 Drill 3 equally spaced holes with 3mm drill bit through the corner post and door frame. Fix the frame with screws (2SY50) and screw cap (C070). Repeat process for wall profile and upright profile.

Important: Ensure minimum of 12mm from the front edge of the frame (see picture above).

Step 6
 Use a quality silicone sealant to seal the finished door.

Sealing Inside
 Seal top to bottom on the **INSIDE** between the wall profile and the wall.
 Note: Do not apply sealant on inside of tray.

Sealing Outside
 Seal only along bottom glass on the **OUTSIDE** between glass and the tray and approx 50mm up between the wall profile and the wall.
 Seal also where wall profile and frame profile overlap 50mm up.



Trouble Shooting Guide

Side panel

- ① Is the tray level? (See page 3 of the site installation instructions).
- ② Are the wall profiles plumb (vertically aligned and checked with a spirit level)? (See step 4).
- ③ Is the unit correctly sealed with silicone? (See step 6).
- ④ Do the finished measurements on the tray comply with the adjustments listed in the product specifications book?

SIDE PANEL

WE ARE SURE YOU WILL BE PLEASED WITH YOUR NEW SHOWER DOOR

Where a shower door has been installed contrary to these instructions we cannot accept responsibility for any loss or damage however caused and any on site service may incur a charge. FAILURE TO FOLLOW THE INSTRUCTIONS CORRECTLY MAY INVALIDATE YOUR GUARANTEE