

 **PLASSON**®

PlassOne
Simply Push to Fit!



PRICE LIST

Issue 3

Global Presence - Local Commitment


PLASSON


PlassOne SYSTEM


PlassOne Fittings


PlassOne


Simply Push to Fit!


 - The new range of innovative fittings created by Plasson, market leader in design and manufacture of reliable fittings for Polyethylene pipe systems.

 push-fittings provide connectivity of Polyethylene (MDPE) pipe to a variety of plumbing pipe materials including MDPE, Copper, PB, and PEX. Inserting the pipe up to the fitting stop creates both the seal and the grip on the pipe.

 is a WRAS approved 16 Bar rated fittings system for MDPE, PEX, PB and Copper, when used with an appropriate liner.

 is compact and has an attractive design making this fitting ideal for the plumbing market, where space is limited and appearance is crucial. It is designed for the transition from MDPE pipe to Copper, PB and PEX within the building.

 is simple to assemble - simply push to fit - makes both the professional's and occasional user's job easier whilst retaining the famous Plasson reliability.

The combination of Plasson's current fitting range and the new  fulfill the requirements of all markets for MDPE pipe connections and connections to other pipe materials.

- Aesthetically designed product - gives professional finish to the job
- Assembly tools not required - simple push fit assembly
- Compact size - can be assembled in confined spaces
- Instant seal and integrity of joint - captive o-ring and no nuts to tighten
- Full end load performance - no need to restrain joints
- Transition from MDPE to internal plumbing systems - Copper, PB and PEX accommodated in one fitting
- Push fit assembly of Copper, PB and PEX - similar to MDPE joint assembly
- 50 year design life - provides total reliability
- Tamper resistant design - ensures system integrity
- Packaged with liners for PE and full instructions for ease of handling
- Drip tight seal - even at low or negative pressures
- Simply push to fit on Polyethylene, Copper, PEX and Polybutylene
'One push fits all.'

Watertight Solutions

COUPLINGS	3
TEES & ADAPTORS	4
ELBOWS & END PLUGS	5
VALVES	6
METERING & STOP TAP CHAMBER	7-8
ACCESSORIES	9
ASSEMBLY INSTRUCTIONS	10-11
TECHNICAL DETAILS	12
CONTACT LIST	13

ALSO AVAILABLE



Mechanical

Electrofusion

PlusSeal

2 PlassOne

PlassOne Fittings



PlassOne

Simply Push to Fit!



- Compact and attractive plumbing fitting
- Push to fit on all pipes
- Adaptors from PE to Copper, PB, PEX and Imp. PE
- WRAS approved to 16 Bar
- Instant seal even at low or negative pressures
- Full end load performance
- Tamper resistant design for system integrity

 **PLASSON®**

Email: sales@plasson.co.uk

www.plasson.co.uk



1011 Reducing Couplings

SIZE	PRICE (£) EACH
25x20	7.72
32x20	12.79
32x25	12.81



1001 Couplings

SIZE	PRICE (£) EACH
20x20	4.15
25x25	4.45
32x32	9.86
40x40	19.21
50x50	23.09
63x63	33.74



1001M Metric to Imperial Coupling

SIZE	PRICE (£) EACH
20x1/2	4.59
25x1/2	4.83
25x3/4	5.13
32x1	10.27



1001C PE x Copper/PB/PEX

SIZE	PRICE (£) EACH
20x15	6.44
25x15	6.69
25x22	6.85
32x28	12.73

Fittings bagged individually.
MDPE Liners included.

4 TEES & ADAPTORS

PlasOne Fittings



1004

Tees

SIZE	PRICE (£) EACH
20x20x20	6.76
25x25x25	10.65
32x32x32	14.52
40x40x40	24.83
50x50x50	30.34
63x63x63	45.63



1002C

Male Adaptor to Copper/PB/PEX

SIZE	PRICE (£) EACH
15x ³ / ₄	5.32
22x ³ / ₄	5.60
28x1	8.96



1002

Male Adaptors

SIZE	PRICE (£) EACH
20x ¹ / ₂	3.60
20x ³ / ₄	3.83
25x ¹ / ₂	4.28
25x ³ / ₄	4.28
25x1	6.45
32x ³ / ₄	6.62
32x1	6.62
32x1 ¹ / ₄	6.62
40x1	12.06
40x1 ¹ / ₄	12.06
40x1 ¹ / ₂	12.06
50x1 ¹ / ₂	16.14
50x2	16.14
63x1 ¹ / ₂	21.68
63x2	21.68



1003

Female Adaptors

SIZE	PRICE (£) EACH
20x ¹ / ₂	4.13
25x ¹ / ₂	4.69
25x ³ / ₄	4.52
25x1	5.80
32x ³ / ₄	5.97
32x1	5.97
32x1 ¹ / ₄	5.97
40x1	13.29
40x1 ¹ / ₄	13.29
40x1 ¹ / ₂	13.29
50x1 ¹ / ₄	18.17
50x1 ¹ / ₂	18.17
50x2	18.17
63x1 ¹ / ₂	26.16
63x2	26.16



Email: sales@plasson.co.uk

www.plasson.co.uk

ELBOWS & END PLUGS 5

PlasOne Fittings



1005

90° Elbows

SIZE	PRICE (£) EACH
20x20	4.99
25x25	7.09
32x32	11.56
40x40	20.92
50x50	24.60
63x63	32.70



1012

End Plugs

SIZE	PRICE (£) EACH
20	4.65
25	5.90
32	8.61
40	13.95
50	18.64
63	27.12



1085

Male Elbows

SIZE	PRICE (£) EACH
20x1/2	3.50
20x3/4	3.50
25x1/2	4.03
25x3/4	4.03
25x1	4.03
32x3/4	6.74
32x1	6.74
32x1 1/4	6.74



1015

Female Elbows

SIZE	PRICE (£) EACH
20x1/2	4.53
20x3/4	4.53
25x1/2	5.92
25x3/4	5.92
25x1	5.92
32x3/4	9.57
32x1	9.57
32x1 1/4	9.57

Fittings bagged individually.
MDPE Liners included.



Email: sales@plasson.co.uk www.plasson.co.uk

6 VALVES

PlasOne Fittings



0341 Stop Taps

SIZE	PRICE (£) EACH
20x20	21.41
25x25	30.12
32x32	46.64



0341C PE x Copper/PB/PEX

SIZE	PRICE (£) EACH
20x15	26.66
25x15	35.97
25x22	37.50
32x28	52.94



Traditional Style

9056a Bib Tap Hose Union with Double Check Valve

SIZE	PRICE (£) EACH
1/2"	20.66
3/4"	27.96



9056 Bib Tap Hose Union with Double Check Valve

SIZE	PRICE (£) EACH
1/2"	15.50
3/4"	20.07



1000 Wall Plate Elbow

SIZE	PRICE (£) EACH
20x1/2	9.12
25x1/2	9.71
25x3/4	12.10



2100 Bib Tap-Ball Type

SIZE	PRICE (£) EACH
1/2"	7.35
3/4"	13.13

 **PLASSON**[®]

Email: sales@plasson.co.uk

www.plasson.co.uk

METERING & STOP TAP CHAMBER 7

PlasOne Fittings



3517 Internal Meter Mounting Kit Copper/PB/PEX

SIZE	PRICE (£) EACH
25x22	64.20
25x15	64.20



3510 Water Meter Manifold

SIZE	PRICE (£) EACH
15	28.37

**For Copper Connection Only.
Spare grip rings available.**

Accessories

7002	Seal for Meter Plug	0.76
5177	Plug for Meter Mount	1 1/2" BSP 2.89



9001 Concentric Water Meter (1 1/2" BSP)

SIZE	PRICE (£) EACH
	77.18



3610 Stop Tap Chamber Complete

No Stop Tap included. **25.76**
Suits 20-32mm stop-tap.
Load 1 Tonne Max.
Plastic Lid.

3611	Tap Chamber Base	7.88
3612	Guard Tube	725mm 9.19
3613	Sleeve	3.94
3614	Surface Box	7.61

PLASSON

Email: sales@plasson.co.uk

www.plasson.co.uk

8 METERING

PlasOne Fittings



Meters shown for illustrative purposes only.

Manifolds & Manifold Kits

SIZE	DESCRIPTION	PRICE (£) EACH
3524004 <small>*Model Shown</small>	4-Port Centre Feed (2" BSP) Manifolds	250.27
3530002	4-Port Centre Feed Manifold Kit with Screw Down Valve	352.65
3524006	6-Port Centre Feed (2" BSP) Manifolds	277.22
3530001 <small>*Model Shown</small>	6-Port Centre Feed Manifold Kit with Screw Down Valve	429.94
3523003	3-Port End Feed (2" BSP) Manifolds	255.01
3530007	3-Port End Feed Manifold Kit with Screw Down Valve	364.49
3523004 <small>*Model Shown</small>	4-Port End Feed (2" BSP) Manifolds	292.50
3530006	4-Port End Feed Manifold Kit with Screw Down Valve	438.47
3523006	6-Port End Feed (2" BSP) Manifolds	329.98
3530005	6-Port End Feed Manifold Kit with Screw Down Valve	548.94

DeadLeg Kit



SIZE	DESCRIPTION	PRICE (£) EACH
3534000	DeadLeg Kit for end feed Manifold only	37.76
3534001	DeadLeg Plug	32.41
3534002	DeadLeg Plug O Ring	1.60
5177	2" BSP Threaded Plug	4.54



1095 Pipe Liner

SIZE	PRICE (£) EACH
20	0.32
25	0.34
32	0.50
40	0.91
50	1.04
63	1.10



1008C Grab Ring for Copper Pipe Adaptor

SIZE mm	PRICE (£) EACH
15	0.15
22	0.25
28	0.50



60124 Water Valve Key

SIZE	PRICE (£) EACH
16mm Diameter	33.95

Universal key for T bar and square drive valves



7960 Chamfer Tool

SIZE	PRICE (£) EACH
20/63	57.44



1099 Plasson Wrench (Cast Alloy)

SIZE	PRICE (£) EACH
20/32	20.79
40/63	35.88



F8030 Silicone Lubricant

CODE	SIZE	CONTAINER TYPE	PRICE (£) EACH
F8030	400ml	Aerosol Spray	15.54
F8029	30ml	Tub	6.46



60125 Pipe Shears

SIZE	PRICE (£) EACH
20/32	30.08

60126 Pipe Shears

SIZE	PRICE (£) EACH
20/63	72.32

Replacement blades available



60123 Pipe Squeeze off Tool

SIZE	PRICE (£) EACH
20/32	41.33

60123A Pipe Squeeze off Tool

SIZE	PRICE (£) EACH
32/63	69.39



60120 MDPE Pipe Clips (Connectable)

SIZE	PRICE (£) EACH
20mm	0.34
25mm	0.37
32mm	0.42
50mm	0.76
63mm	0.84

10 ASSEMBLY INSTRUCTIONS

PlasOne Fittings

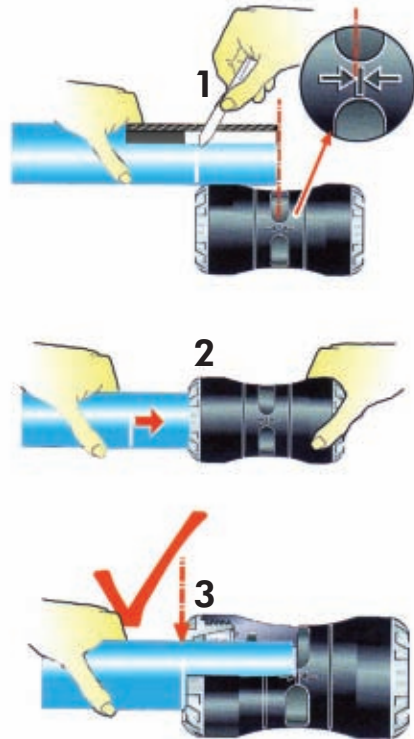
Installation Instructions

Before installation, ensure that the end of the pipe to be inserted into the fitting is free of scratches and other imperfections and that both the pipe and the fitting itself are free of sand, mud, stones, etc. If fittings are reused, ensure that split ring and grip ring teeth are sharp and bite into the pipe, to avoid pullouts. If uncertain, replace the split ring and grip ring.

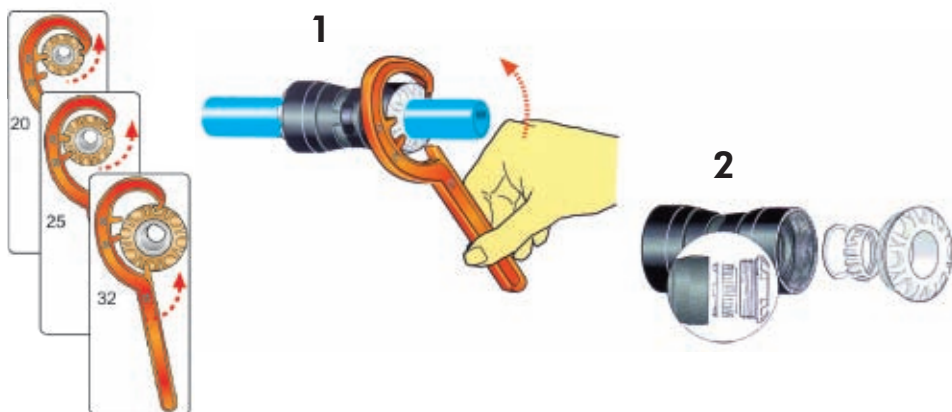
We strongly recommend the use of PTFE tape in threaded connections.

For diameters 40mm and above, chamfering and lubrication of the pipe end will ease insertion (use silicone lubricant).

When using PEX/PB pipes, use pipe manufacturers liner (see page 11, fig 5).



Disassembly - PE x PE

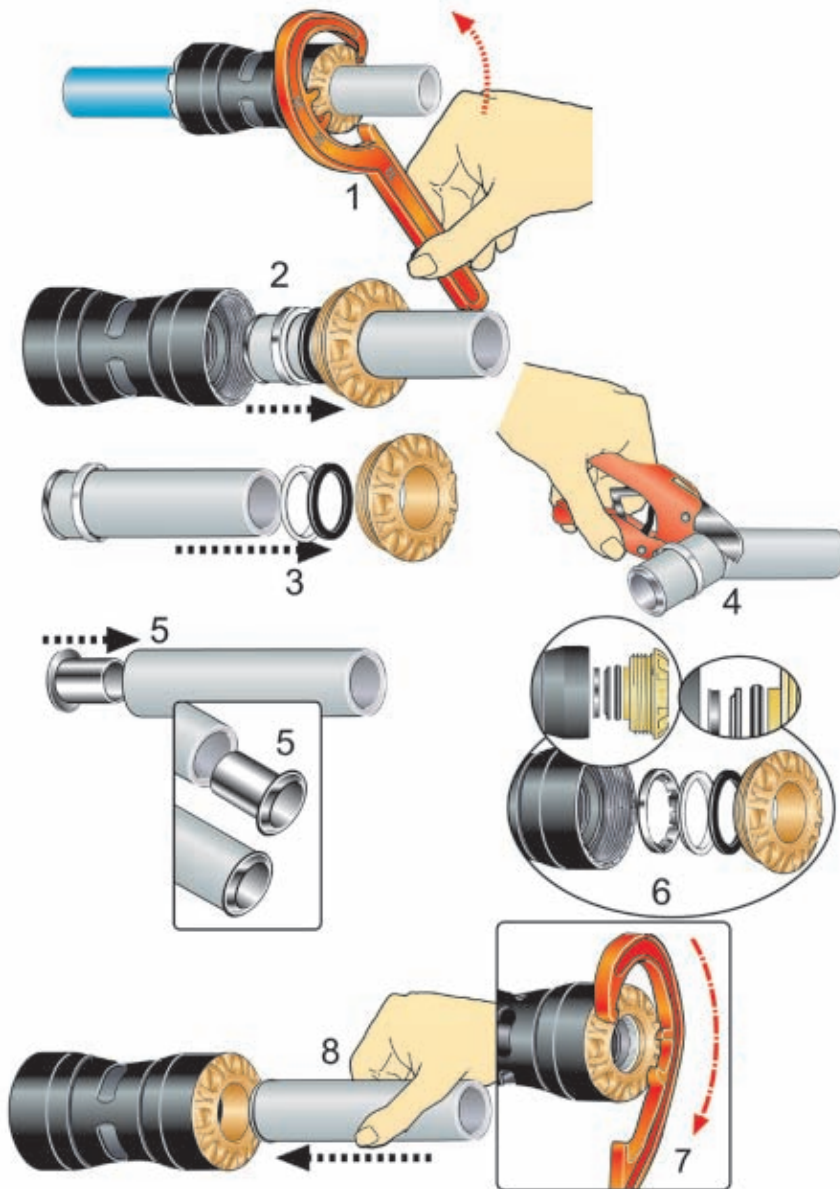


 **PLASSON**[®]

Email: sales@plasson.co.uk

www.plasson.co.uk

Disassembly - PE x Copper/PB/PEX (PB illustrated)



12 TECHNICAL DETAILS

PlassOne Fittings



MATERIALS

Compression Fittings:

Bodies and nuts in Polypropylene
O-Rings in Nitrile Rubber (NBR)
Reinforcing rings and toothed grips are
in Stainless Steel.

Valves:

Bodies and nuts in Polypropylene
Split rings in White Polyacetal

Operating Temperatures:

Not suitable for hot water, however, will
withstand sub zero temperature.

Threads:

Internal parallel thread
External taper thread

All threads conform to:-
ISO 7
BS 21-1973
DIN 2999
NEN 3258
AS 1722 / Part 1 - 1975.

Chemical Resistance:

Plasson fittings are supplied, as
standard, with Polyacetal split rings and
NBR O-rings which are suitable for
water.

Operating Pressures and Quality Certificates:

Plasson Fittings are tested and
approved by WRAS in the UK to PN 16.

Plasson have established a quality
assurance system and achieved
recognition under the Quality Standard
ISO 9001:2000.

Operation in accordance with ISO
9001:2000 Quality Assurance system
imposes stringent standards of control
throughout the manufacturing process
and selection of raw materials.

PLASSON[®]

Watertight Solutions

Jon Holt

Area Sales Manager,
North West & North Wales
Email: jon.holt@plasson.co.uk
Mobile: 07841 066309

James Pick

Area Sales Manager,
West Midlands & Mid/South Wales
Email: james.pick@plasson.co.uk
Mobile: 07788 185672

Mark Cummins

Area Sales Manager,
South West & Channel Islands
Email: mark.cummins@plasson.co.uk
Mobile: 07788 185671

Ian Grant

Area Sales Manager,
Scotland
Email: ian.grant@plasson.co.uk
Mobile: 07788 185673

Craig Smith

Area Sales Manager,
North East
Email: craig.smith@plasson.co.uk
Mobile: 07788 185669

Paul Shelton

Area Sales Manager,
East Midlands & East Anglia
Email: paul.shelton@plasson.co.uk
Mobile: 07786 156954

Simon Denly

Business Development Manager
Email: simon.denly@plasson.co.uk
Mobile: 07788 185670

Simon Merkel

Sales & Marketing Manager
Email: simon.merkel@plasson.co.uk
Mobile: 07788 185678

Duncan Fisher

Technical Support Manager
Email: duncan.fisher@plasson.co.uk
Mobile: 07788 185674

Rep. of Ireland / N. Ireland

Tel: 01444 244446
Fax: 01444 258683



Email: sales@plasson.co.uk

www.plasson.co.uk



Your Stockist



Global
Presence
Local
Commitment

 **PLASSON**[®]

Plasson House

Albert Drive,

Burgess Hill,

West Sussex

RH15 9TN

Tel: 01444 244446

Fax: 01444 258683

E-mail: sales@plasson.co.uk

WRAS
APPROVED
PRODUCT



iphe
Industrial
Associate



www.plasson.co.uk