

# Logic+ and Logic Heat

12 15 18 24 30

## Features and Benefits



### The Logic+ and Logic Heat

The Logic+ and Logic Heat range of boilers from Ideal provides an easy to install, dependable heat only solution for both new build or replacement installations alike, fully supported by a 5 or 2 year parts and labour warranty.

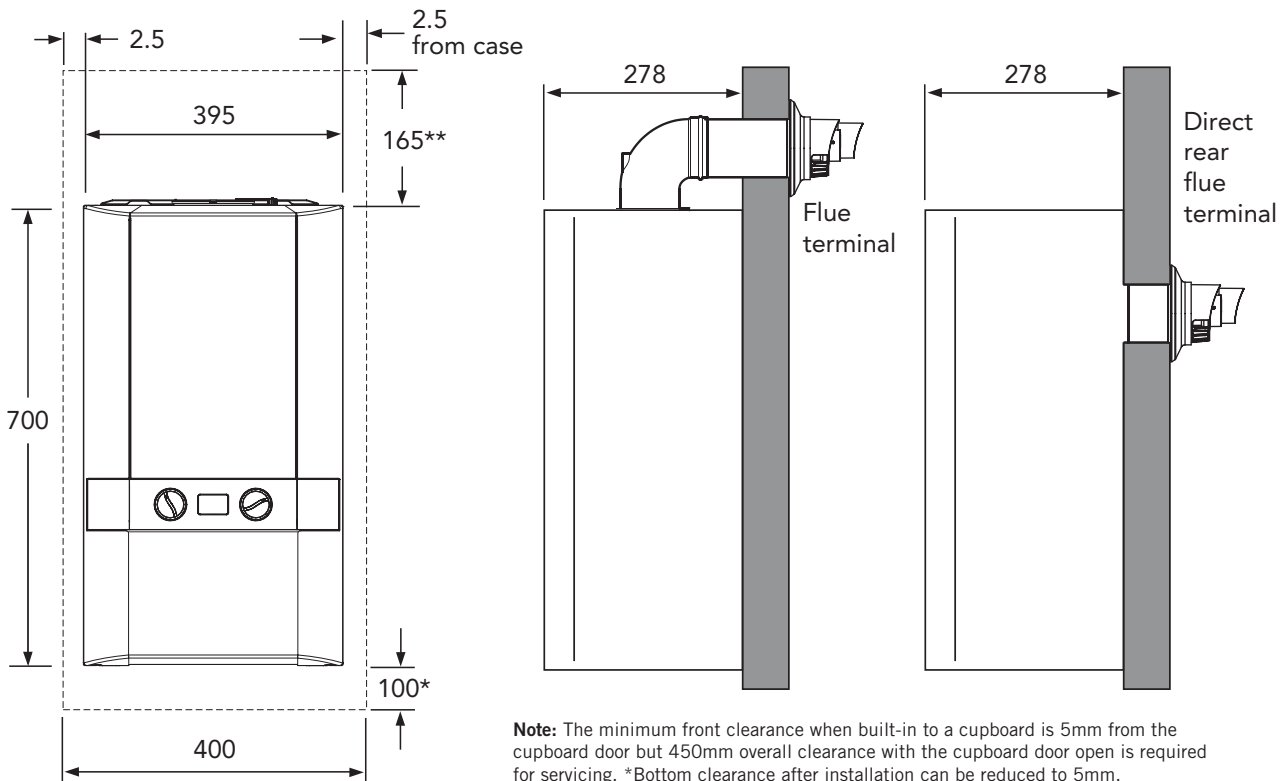
- SEDBUK A rated (91%+)
- 5 year parts and labour warranty on Logic+
- 2 year parts and labour warranty on Logic
- Compact cupboard fit
- Direct 80mm diameter rear flue option
- Wide range of flueing options
- Low lift weight (23kg)\*\*
- Top system connections
- 75mm deep translucent condensate siphon
- Stand off kit
- Terminal wall plate kit
- Security bracket kit
- Fully modulating operation down to 4.8kW\*\*2
- Weather compensation kit option
- Boiler frost protection
- Low minimum head requirement

\*\* Weight with front panel removed

\*\*2 (30 only - 6.1kW)



## Boiler Clearances and Dimensions



**Note:** The minimum front clearance when built-in to a cupboard is 5mm from the cupboard door but 450mm overall clearance with the cupboard door open is required for servicing. \*Bottom clearance after installation can be reduced to 5mm. However, 100mm is required for servicing.\*\*Rear flue option - top clearance 100mm.

## Flue Lengths

Boiler Model		Logic+ and Logic Heat Only				
		12	15	18	24	30
Flues	Max horizontal	9m				8m
	Max vertical	7.5m				
	Powered Vertical	22m				

Also available:  
High Level  
Flue Outlet  
Kit/ Direct  
Rear Flue  
Kit (55/80)

## Technical Specification

Boiler Model		Logic+ Heat Only					Logic Heat Only				
		12	15	18	24	30	12	15	18	24	30
Size	Casing dimensions (h w d)(mm)										
	Height	700					700				
	Width	395					395				
	Depth	278					278				
	Weight (packed) kg	28.7					28.7				
	Maximum Installation Weight kg	23.0					23.0				
Performance	CH output (kW) Min/Max @ 70°C	4.8 - 12.0	4.8 - 15.0	4.8 - 18.0	4.8 - 24.2	6.1 - 30.3	4.8 - 12.0	4.8 - 15.0	4.8 - 18.0	4.8 - 24.2	6.1 - 30.3
	CH output (kW) Min/Max @ 40°C	5.1 - 13.0	5.1 - 15.9	5.1 - 19.1	5.1 - 25.6	6.4 - 31.0	5.1 - 13.0	5.1 - 15.9	5.1 - 19.1	5.1 - 25.6	6.4 - 31.0
	DHW output (kW) Max	N/A					N/A				
	DHW flow rate l/min. 35°C rise	N/A					N/A				
	SEDBUK rating	Band A					Band A				
	SEDBUK %	91.2	91.1	91.0	91.0	91.0	91.2	91.1	91.0	91.0	91.0
	NOx Classification	CLASS 5					CLASS 5				
	Adjustable to LPG	No					No				