

Logic+ and Logic System

15 18 24 30

Features and Benefits



The Logic+ and Logic System

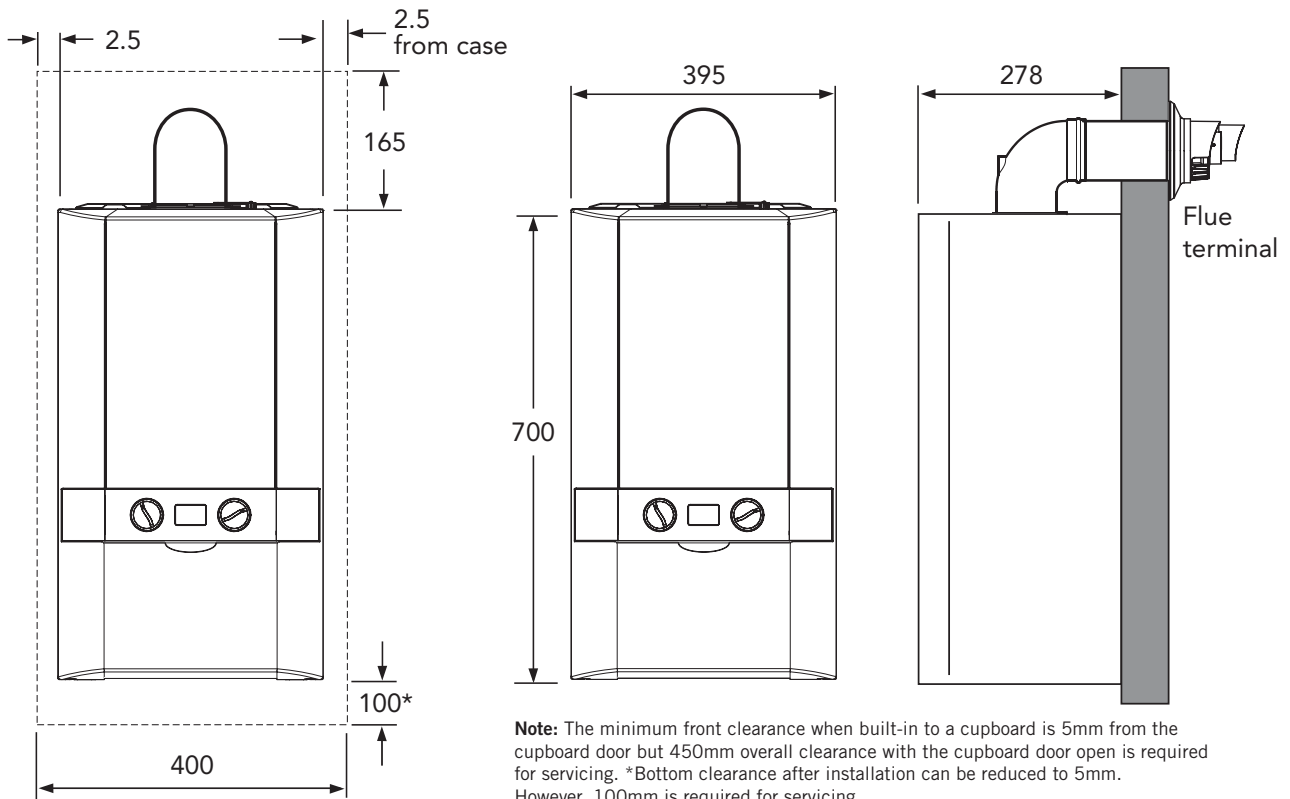
The Logic+ System range of appliances from Ideal provide a reliable sealed system solution, complete with a 5 or 2 year parts and labour warranty for the ultimate in home comfort and total piece of mind.

- SEDBUK A rated (91%+)
- 5 year parts and labour warranty on Logic+
- 2 year parts and labour warranty on Logic
- Compact Cupboard fit
- Wide range of flueing options
- Concealed pipe connections
- Low lift weight (28kg)**
- Boiler frost protection
- Built in condensate trap
- Prewired mains lead
- Preformed copper tails
- Digital display and simple diagnostics
- Stand off kit and pre pipe options
- Fully modulating operation down to 4.8kW
- Weather compensation kit option

** Weight with front panel removed



Boiler Clearances and Dimensions



Flue Lengths

Boiler Model	Logic+ and Logic System			
	15	18	24	30
Flues	Max horizontal	9m		8m
	Max vertical	7.5m		
	Powered Vertical	22m		

Also available:
High Level Flue
Outlet Kit

Technical Specification

Boiler Model	Logic+ System				Logic System				
	15	18	24	30	15	18	24	30	
Size	Casing dimensions (h w d)(mm)								
	Height	700				700			
	Width	395				395			
	Depth	278				278			
	Weight (packed) kg	34.4				34.4			
	Maximum Installation Weight kg	28.0				28.0			
Performance	CH output (kW) Min/Max @ 70°C	4.8 - 15.0	4.8 - 18.0	4.8 - 24.2	6.1 - 30.3	4.8 - 15.0	4.8 - 18.0	4.8 - 24.2	6.1 - 30.3
	CH output (kW) Min/Max @ 40°C	5.1 - 15.9	5.1 - 19.1	5.1 - 25.6	6.4 - 31.0	5.1 - 15.9	5.1 - 19.1	5.1 - 25.6	6.4 - 31.0
	DHW output (kW) Max	N/A				N/A			
	DHW flow rate l/min. 35°C rise	N/A				N/A			
	SEDBUK rating	Band A				Band A			
	SEDBUK %	91.1	91.0	91.0	91.1	91.1	91.0	91.0	91.1
	NOx Classification	CLASS 5				CLASS 5			
	Adjustable to LPG	No				No			