



VOGUE SYSTEM.

15 18 26 32

HIGH EFFICIENCY SYSTEM BOILERS

Showcasing unique boiler innovation, the Vogue utilises modern technology with premium parts and components to bring you the next step in domestic heating intelligence.



PRODUCT INTELLIGENCE

- + Cool door technology
- + Modulating pump
- + Up to 7:1 modulation
- + Large 10 litre expansion vessel
- + Large backlit LCD with plain text
- + Service display & phone number

RELIABLE

- + 7 year parts & labour warranty as standard
- + Dedicated customer services helpline
- + Comprehensive standard components

EASY TO INSTALL

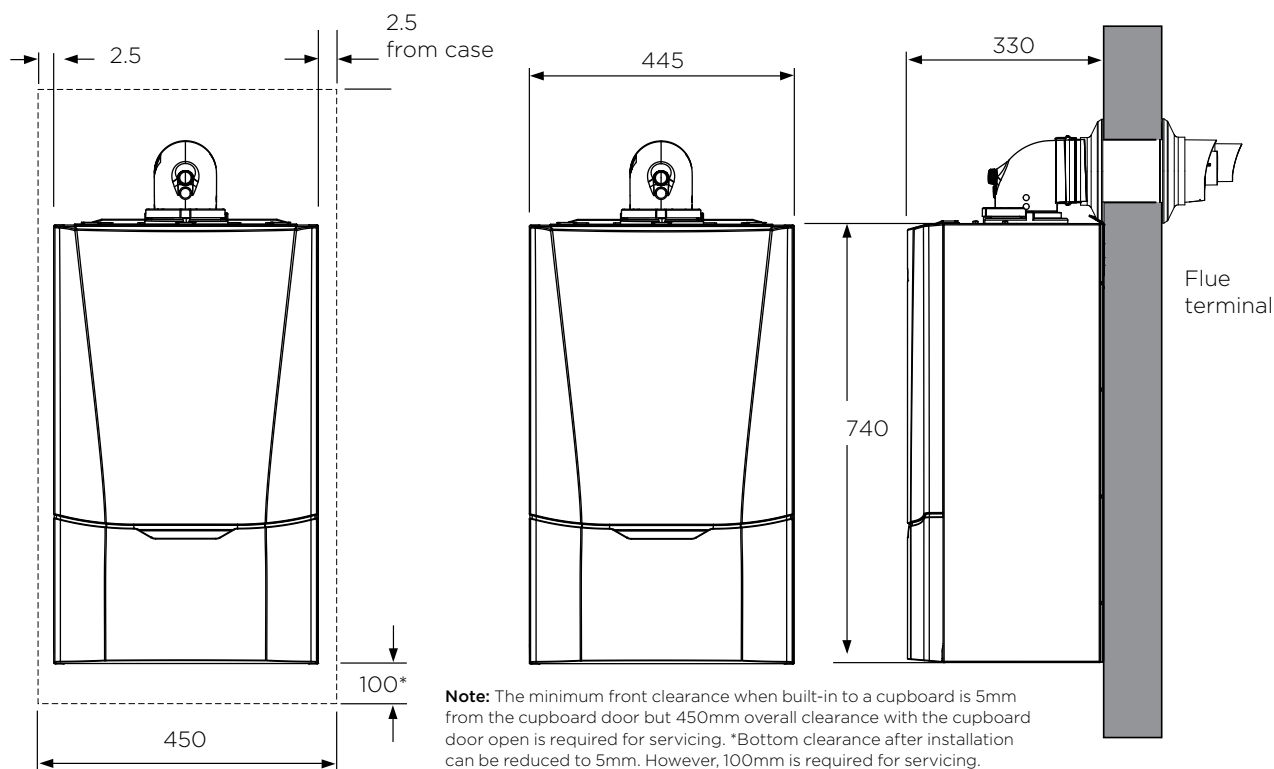
- + Modulating pump
- + Longer maximum flue lengths with easy access sampling points
- + PRV outlet pipe standard
- + Optional 2 channel programmer kit

PREMIUM COMPONENTS

- + Stylish chassis with full size door complete with damped opening
- + Stainless steel heat exchanger



CLEARANCES & DIMENSIONS.



FLUE LENGTHS.

	SYSTEM 15	SYSTEM 18	SYSTEM 26	SYSTEM 32
Max horizontal		10m		8m
Max vertical		10m		

TECHNICAL SPECIFICATIONS.

	SYSTEM 15	SYSTEM 18	SYSTEM 26	SYSTEM 32
Height		740		
Width		445		
Depth		330		
Weight	37.7	38.0	40.9	41.1
Max installation weight (Kg)	31.9	33.1	34.4	36.9
CH output (kW) min/max @ 70°C	15	18	26	32
CH output (kW) min/max @ 40°C	16.2	19.3	27.9	34.3
DHW output (kW) max		n/a		
DHW flow rate l/min. 35°C rise		n/a		
SEDBUK rating (2005) %	91	91.1	91.1	91.1
SEDBUK rating (2009) %	88.9	89.3	89.3	89.3
NOx classification		CLASS 5		
Adjustable to LPG	Yes	Yes	Yes	Yes