

Sirius three WH 50-150kW

Wall-hung stainless steel condensing boilers

Compact and lightweight, Sirius three WH condensing boilers offer a market-leading modulation ratio of up to 9:1 and come with weather compensation as standard, ensuring high seasonal efficiency all year around.



Features

- Wide range of outputs: 50, 60, 70, 90, 110, 130, 150kW
- Lightweight stainless steel heat exchanger
- Modulation ratio of up to 9:1
- Gross seasonal efficiency up to 97.3%
- Low NOx under 24.7mg/kW
- Supplied with the latest Siemens controls
- QA75 Twist Knob Controller
- 0-10 volt connection
- Integrated Cascade function
- Very compact design
- 1" flow and return connections (50-70kW)
- Can be programmed to work with solar thermal, biomass and buffer tanks
- Commissioning by Potterton Commercial engineers and service plans are available
- 5 year parts and labour warranty*

Benefits

- Suitable for a wide range of commercial applications
- Reliable and energy efficient heat transfer
- Wide modulation ratio reduces constant on/off cycling to improve efficiency and boiler longevity
- Reduced energy consumption
- Minimises impact on the environment
- State of the art PCB offering improved control options
- Simple descriptive display and easy to use advanced programming functions
- Provides a quick and simple interface with BMS
- Up to 16 boilers can be managed by the Siemens controller
- 130kW and 150kW in the same footprint as 110kW
- Avoids major pipework modification
- Sustainable, energy efficient solution across complete range
- On-going support for the boiler
- For complete peace of mind

Specification

Performance	Fuel Type		Sirius three WH 50	Sirius three WH 60	Sirius three WH 70	Sirius three WH 90	Sirius three WH 110	Sirius three WH 130	Sirius three WH 150
Output @ 80/60°C	NG	kW	45.1	55.0	65.1	85.1	102	121	140
Output @ 50/30°C	NG	kW	48.6	59.4	70.3	92.2	110.2	130	150
Input (Gross) Maximum	NG	kW	51.4	62.8	74.3	97.0	116.4	137.4	158.6
Input (Net) Maximum	NG	kW	46.3	56.6	66.9	87.4	104.9	123.8	143.0
Output @ 80/60°C	LPG	kW	45.1	55.0	65.1	85.1	102	121	140
Output @ 50/30°C	LPG	kW	48.6	59.4	70.3	92.2	110.2	130	150
Input (LPG) (Gross) Maximum	LPG	kW	51.4	62.8	74.3	97.0	116.4	137.4	158.6
Input (LPG) (Net) Maximum	LPG	kW	47.3	57.8	68.4	89.3	107.2	126.6	146.0

Efficiency	Value %		Sirius three WH 50	Sirius three WH 60	Sirius three WH 70	Sirius three WH 90	Sirius three WH 110	Sirius three WH 130	Sirius three WH 150
Efficiency @ 80/60°C - 100% Load	% Gross		87.8	87.6	87.6	87.7	87.6	88.4	88.4
Efficiency at 50/30°C - 100% Load	% Gross		94.61	94.61	94.61	95.06	94.70	95.1	95.1
Efficiency @ 30% Load	% Gross		97.1	96.8	96.5	96.9	96.8	97.8	97.8
Current Building Regulations - Part L2 Seasonal Efficiency	% Gross		96.6	96.4	96.1	96.5	96.4	97.3	97.3
ErP efficiency rating			A	A	A	N/A	N/A	N/A	N/A

Gas			Sirius three WH 50	Sirius three WH 60	Sirius three WH 70	Sirius three WH 90	Sirius three WH 110	Sirius three WH 130	Sirius three WH 150
Gas Consumption (Natural Gas)	m³/h		4.90	5.98	7.07	9.25	11.1	13.1	15.1
Gas Consumption (LPG)	Kg/h		3.60	4.40	5.20	6.60	7.92	9.8	11.3
Inlet Gas Pressure (Natural Gas - G20)	m/bar		17 - 25				17 - 25		
Inlet Gas Pressure (LPG - G31)	m/bar		27 - 45				27 - 45		
Gas Connection Size	inch		¾	¾	¾	1	1	1	1
Gas Connection Type			Male Thread				Male Thread		

Flue			Sirius three WH 50	Sirius three WH 60	Sirius three WH 70	Sirius three WH 90	Sirius three WH 110	Sirius three WH 130	Sirius three WH 150
Flue Gas Volume at 80/60°C (NG)	m³/h at STP		67.6	82.6	97.7	127.6	147.2	181	208
Flue Gas Volume at 50/30°C (NG)	m³/h at STP		62.8	76.5	90.5	117.7	136.2	166	191
Flue Gas Volume at 80/60°C (LPG)	m³/h at STP		61.5	75.2	88.9	114.1	139.3	168	184
Flue Gas Volume at 50/30°C (LPG)	m³/h at STP		57.1	69.6	82.4	105.2	128.9	153	170
Max Flue Gas Pressure @ Outlet (B23)	pa		270	270	270	200	200	180	270

Hydraulic			Sirius three WH 50	Sirius three WH 60	Sirius three WH 70	Sirius three WH 90	Sirius three WH 110	Sirius three WH 130	Sirius three WH 150
Water Flow Rate @ 15°C ΔT	l/s		0.72	0.88	1.04	1.36	1.63	2.08	2.71
Water Flow Rate @ 20°C ΔT	l/s		0.54	0.66	0.78	1.02	1.22	1.56	2.03
Water Flow Rate @ 30°C ΔT	l/s		0.36	0.44	0.52	0.68	0.81	1.0	1.2
Hydraulic Resistance @ 15°C ΔT	kPa		85	92	45	35	36	69	70
Hydraulic Resistance @ 20°C ΔT	kPa		48	55	30	22	22	41	41
Hydraulic Resistance @ 30°C ΔT	kPa		22	24	18	10	11	18	20
Water Content	litres		4	5	6	9	10	10	11
Flow & Return Connection Size	inch		1"	1"	1"	1½"	1½"	1½"	1½"
Flow & Return Connection Type			Male Thread				Male Thread		
Flue Connection Size	mm		80/125		80/125	110/160	110/160	110/160	110/160
Maximum Boiler Operating Pressure	bar		4				4	6	
Minimum Boiler Operating Pressure	bar		1				1		
Maximum Flow Temperature	°C		85				85		

General			Sirius three WH 50	Sirius three WH 60	Sirius three WH 70	Sirius three WH 90	Sirius three WH 110	Sirius three WH 130	Sirius three WH 150
Appliance Dry Weight	Kg		40	40	50	83	93	93	96
NOx Level (Dry @ 0% O2)	mg/kWh		29.8	34.1	34.8	36.5	24.7	23	17
CO ₂ Content - Natural Gas	%		8.5 - 9	9	8.5 - 9	8.5 - 9	9 - 9.2	9.2	9.2
CO ₂ Content - LPG	%		9.5 - 10	9.4 - 10.1	9.5 - 10	9.9 - 10	9.5 - 10	10.2	10.2
High Level Ventilation (BS 6644)	cm²		93	113	134	175	210	284	286
Low Level Ventilation (BS 6644)	cm²		185	226	268	350	420	496	572

Electrical			Sirius three WH 50	Sirius three WH 60	Sirius three WH 70	Sirius three WH 90	Sirius three WH 110	Sirius three WH 130	Sirius three WH 150
Power consumption	W		80	95	95	130	165	187	283
Nominal Supply Voltage	V/Hz		230 v 1 Ph 50 Hz				230 v 1 Ph 50 Hz		

Single boiler outputs

50kW to 150kW

Gross seasonal efficiency

Up to 97.3%

Modulation ratio

Up to 9:1

Cascade output

Up to 700kW

High efficiency condensing boilers

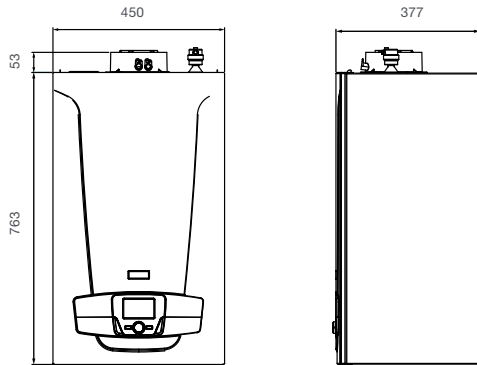
Designed to meet carbon reduction targets

Lifetime service and support



Dimensions

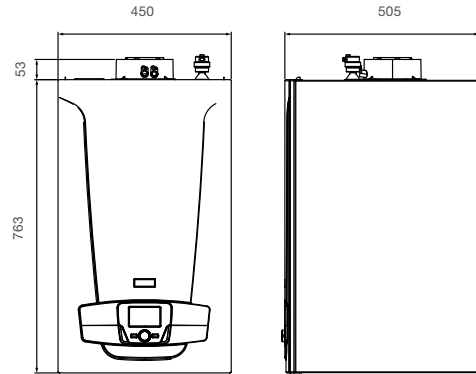
Sirius three WH 50/60kW



Front View

Side View

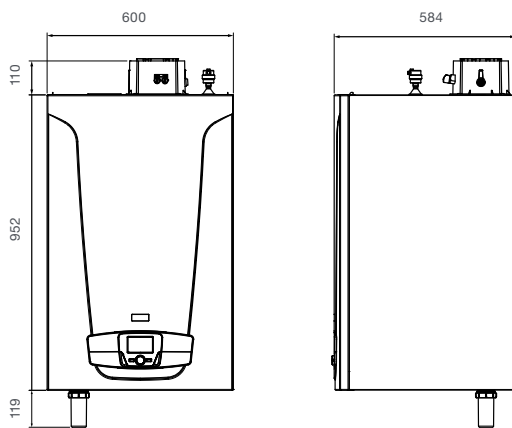
Sirius three WH 70kW



Front View

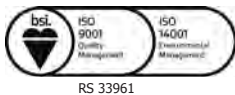
Side View

Sirius three WH 90/110/130/150kW



Front View

Side View



sales 0345 070 1055

technical 0345 070 1057

web pottertoncommercial.co.uk

Registered office address: Baxi Heating UK, Coventry Road, Warwick, CV34 4LL