

Campbell single ended bath - J-shape

nabis

Product code –
1700x750 LH – A03223
1700x750 RH – A03224

The nabis Campbell is designed with modern bathrooms in mind, and is perfect for when space is limited but style is important. It provides a single backrest designed for comfort. The Campbell bath comes without pre-drilled tap holes, allowing you free choice over your accompanying tap placement.



Features and benefits

- Sanitaryware grade cast acrylic
- 25 year warranty
- Modern design
- Single ended bath
- Manufactured in the UK
- Front and end panel available

Specifications

Thickness	4mm
Encapsulated baseboard	Yes
Water capacity	190 litres
Full rim support	Yes
Pre-drilled waste and overflow	Yes
Tap holes	0
Fittings included	Yes
Colour	White
Constructed to BS EN 198	Yes
Constructed to BS EN 14516	Yes



Plumbing

Heating

Cooling

Drainage

Pipe

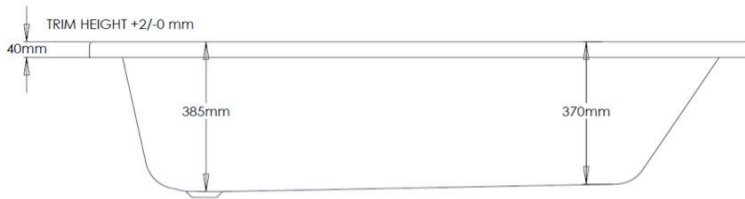
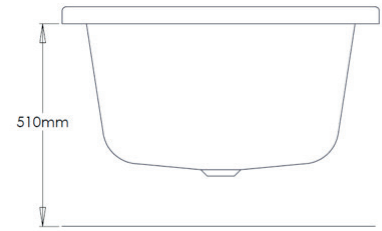
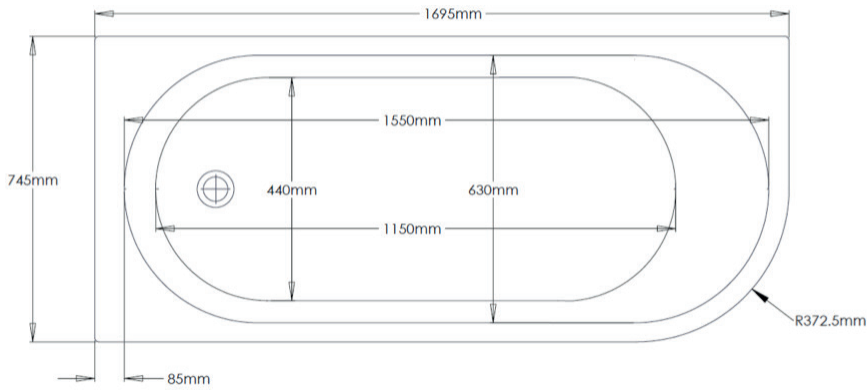
Parts

WOLSELEY

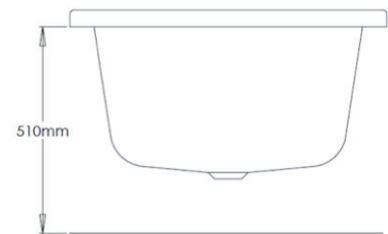
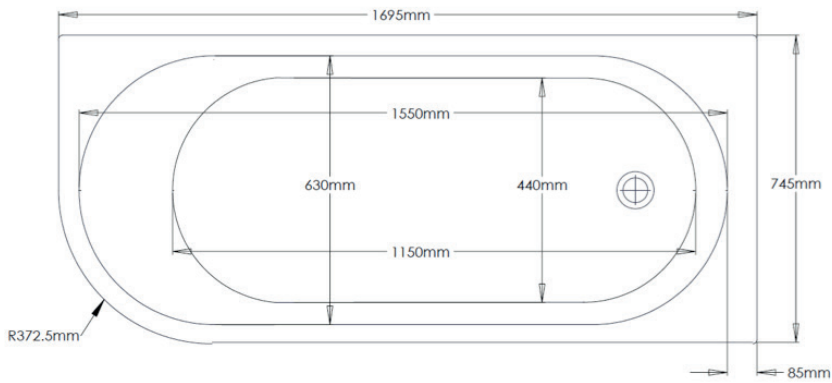


The Specialist Merchant

Line drawing A03223



Line drawing A03224



Don't forget!



A03235

End panel
(750mm)



A03225

J-shape front panel
(1700mm)

The information contained on this page was correct at date of issue. Fitting dimensions are provided as a guide only. Some variation may occur due to manufacturing tolerances. We pursue a policy of continuing improvement in design and performance of products and so reserve the right to change specifications without prior notice.

Version number 1



Plumbing



Heating



Cooling



Drainage



Pipe



Parts