

## FEATURES & BENEFITS

- Suitable for installation into Zones 1 and 2 of the bathroom for non high pressure water jet applications
- Manufactured in accordance with: EN60335-1 / BS EN ISO 9001
- Each standard element contains an internal preset over temperature switch and fail safe fuse.
- There is no thermostatic control with this element although a suitably rated rheostat (CD-VR) will give thermal control when fitted into the electrical supply circuit.
- Enables the chosen towel warmer to be supplied as a sealed electric unit and operate independently of the central heating system.
- Can be used for dual fuel applications to allow towel warmer to be operated in summer when the central heating is off. In multirail units a "T" piece is used.
- Must only be used when rail is full of fluid.

## PRODUCT SPECIFICATION

**HEIGHT (MM):** 395

**WIDTH (MM):** 10

**DEPTH (MM):** 10

**WEIGHT (KG):** 1.5

**WOLSELEY CAT. NO.:** 262530

**SUPPLIERS PRODUCT CODE:** 5051278068228

### FULL PRODUCT DESCRIPTION:

Standard Element 200W Chrome Finish

**PRODUCT TYPE:** Electric Element

**SUPPLIER PART NO:** EE002 EL200

### ORIGINAL SUPPLIER PRODUCT DESCRIPTION:

ELEMENT 2 - 200W ELECTRIC

**BAR-CODE / EAN NO.:** 5051278068228

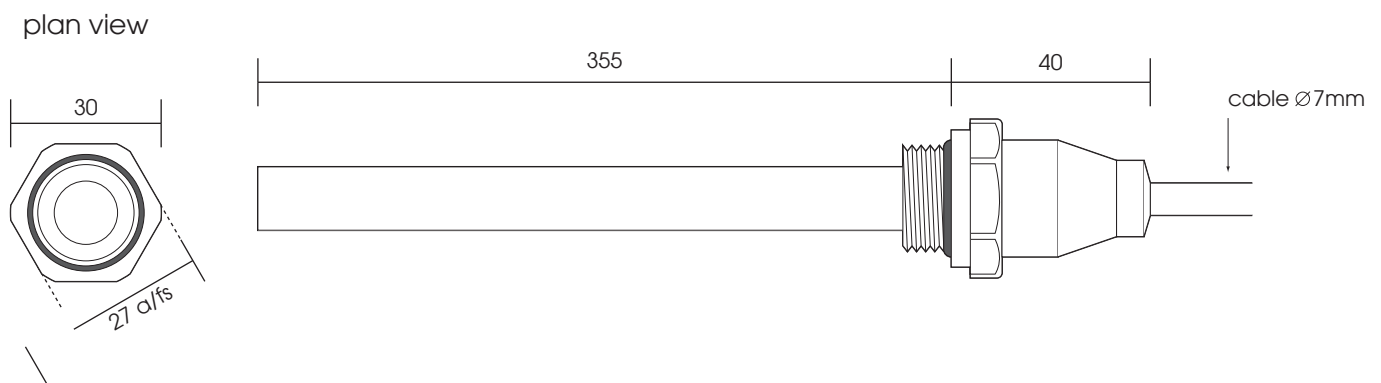
**PRODUCT NARRATIVE:** IP55 - On/Off Functionality Only

# WOLSELEY

UK



## TECHNICAL DRAWING



## FEATURES & BENEFITS

- Suitable for installation into Zones 1 and 2 of the bathroom for non high pressure water jet applications
- Manufactured in accordance with: EN60335-1 / BS EN ISO 9001
- Each standard element contains an internal preset over temperature switch and fail safe fuse.
- There is no thermostatic control with this element although a suitably rated rheostat (CD-VR) will give thermal control when fitted into the electrical supply circuit.
- Enables the chosen towel warmer to be supplied as a sealed electric unit and operate independently of the central heating system.
- Can be used for dual fuel applications to allow towel warmer to be operated in summer when the central heating is off. In multirail units a "T" piece is used.
- Must only be used when rail is full of fluid.

## PRODUCT SPECIFICATION

**HEIGHT (MM):** 585

**WIDTH (MM):** 10

**DEPTH (MM):** 10

**WEIGHT (KG):** 1.5

**WOLSELEY CAT. NO.:** 262531

**SUPPLIERS PRODUCT CODE:** 5051278050674

### FULL PRODUCT DESCRIPTION:

Standard Element 400W Chrome Finish

**PRODUCT TYPE:** Electric Element

**SUPPLIER PART NO:** EE002 EL400

### ORIGINAL SUPPLIER PRODUCT DESCRIPTION:

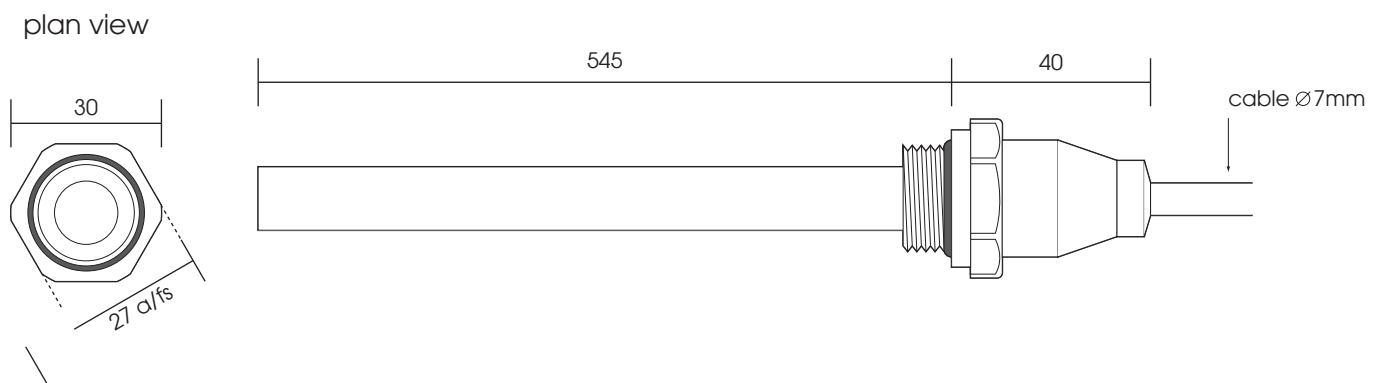
ELEMENT 2 - 400 ELECTRIC

**BAR-CODE / EAN NO.:** 5051278050674

**PRODUCT NARRATIVE:** IP55 - On/Off Functionality Only



## TECHNICAL DRAWING



## FEATURES & BENEFITS

- Suitable for installation into Zones 1 and 2 of the bathroom for non high pressure water jet applications
- Manufactured in accordance with: EN60335-1 / BS EN ISO 9001
- Each standard element contains an internal preset over temperature switch and fail safe fuse.
- There is no thermostatic control with this element although a suitably rated rheostat (CD-VR) will give thermal control when fitted into the electrical supply circuit.
- Enables the chosen towel warmer to be supplied as a sealed electric unit and operate independently of the central heating system.
- Can be used for dual fuel applications to allow towel warmer to be operated in summer when the central heating is off. In multirail units a "T" piece is used.
- Must only be used when rail is full of fluid.

## PRODUCT SPECIFICATION

**HEIGHT (MM):** 790

**WIDTH (MM):** 10

**DEPTH (MM):** 10

**WEIGHT (KG):** 2

**WOLSELEY CAT. NO.:** 262532

**SUPPLIERS PRODUCT CODE:** 5051278050698

### FULL PRODUCT DESCRIPTION:

Standard Element 600W Chrome Finish

**PRODUCT TYPE:** Electric Element

**SUPPLIER PART NO:** EE002 EL600

### ORIGINAL SUPPLIER PRODUCT DESCRIPTION:

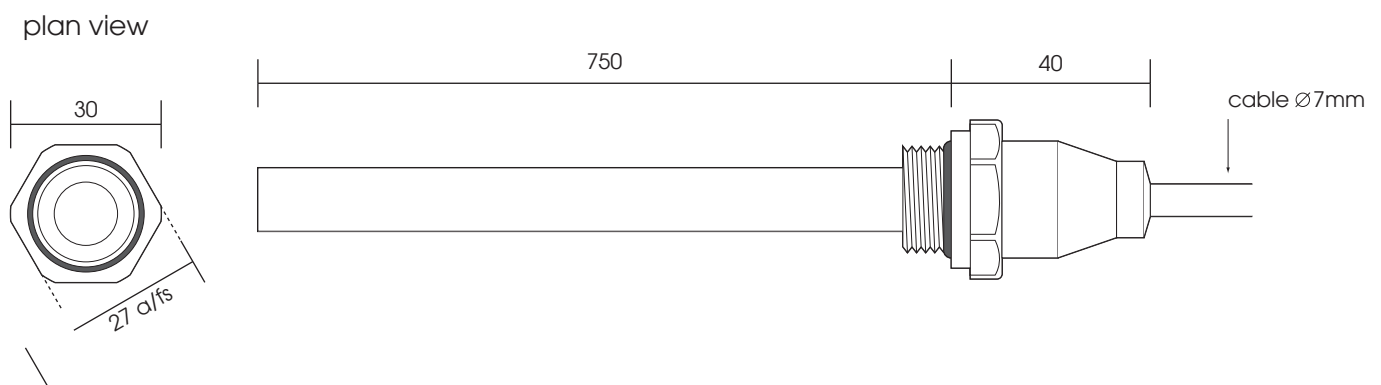
ELEMENT 2 - 600 ELECTRIC

**BAR-CODE / EAN NO.:** 5051278050698

**PRODUCT NARRATIVE:** IP55 - On/Off Functionality Only



## TECHNICAL DRAWING



## FEATURES & BENEFITS

- IP44 (controller) can be used in zone 2.
- Electronic controller measures room temperature and allows this to be varied.
- 2 hr boost function gives full power to bring rooms to temperature quickly
- Frost protection setting for added peace of mind.
- PTC element means that if the unit is accidentally run dry, neither rail nor element will be damaged. PTC technology also gives more efficient use of energy, self regulating once temperature is attained to reduce power used.
- Controller available in Chrome or White
- Independent off/on switch
- Suitable for sealed electric or dual fuel applications.

## PRODUCT SPECIFICATION

**HEIGHT (MM):** 270 / 295 with controller attached

**WIDTH (MM):** 10

**DEPTH (MM):** 10

**WEIGHT (KG):** 1.5

**WOLSELEY CAT. NO.:** 262533

**SUPPLIERS PRODUCT CODE:** 5051278077701

### FULL PRODUCT DESCRIPTION:

Thermostatic Element 300W White Finish

**PRODUCT TYPE:** Electric Element

**SUPPLIER PART NO:** EE003 300WH

### ORIGINAL SUPPLIER PRODUCT DESCRIPTION:

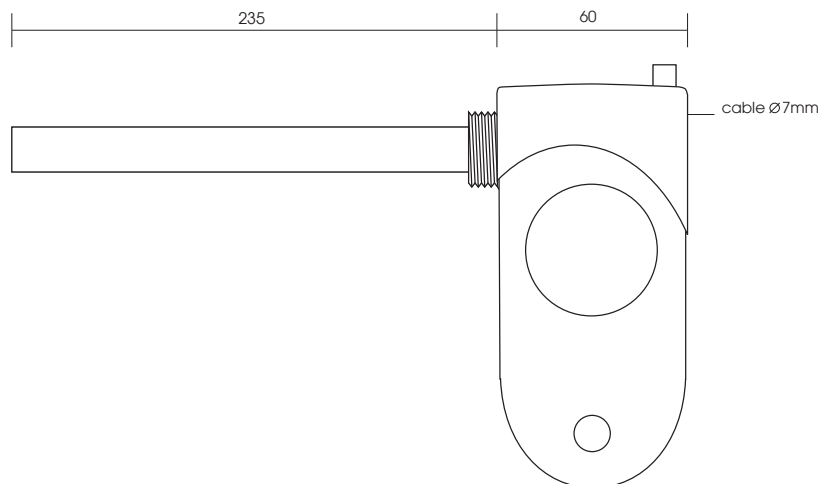
ELEMENT 3 - 300W THERMOSTATIC

**BAR-CODE / EAN NO.:** 5051278077701

**PRODUCT NARRATIVE:** IP44 - Controls Room Temperature



## TECHNICAL DRAWING



## FEATURES & BENEFITS

- IP44 (controller) can be used in zone 2.
- Electronic controller measures room temperature and allows this to be varied.
- 2 hr boost function gives full power to bring rooms to temperature quickly
- Frost protection setting for added peace of mind.
- PTC element means that if the unit is accidentally run dry, neither rail nor element will be damaged. PTC technology also gives more efficient use of energy, self regulating once temperature is attained to reduce power used.
- Controller available in Chrome or White
- Independent off/on switch
- Suitable for sealed electric or dual fuel applications.

## PRODUCT SPECIFICATION

**HEIGHT (MM):** 270 / 295 with controller attached

**WIDTH (MM):** 10

**DEPTH (MM):** 10

**WEIGHT (KG):** 1.5

**WOLSELEY CAT. NO.:** 262534

**SUPPLIERS PRODUCT CODE:** 5051278075974

### FULL PRODUCT DESCRIPTION:

Thermostatic Element 300W Chrome Finish

**PRODUCT TYPE:** Electric Element

**SUPPLIER PART NO:** EE003 300CP

### ORIGINAL SUPPLIER PRODUCT DESCRIPTION:

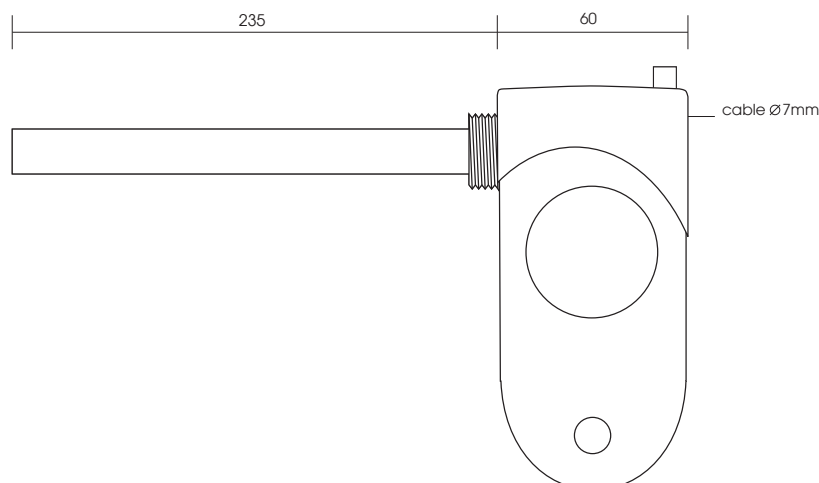
ELEMENT 3 - 300W THERMOSTATIC

**BAR-CODE / EAN NO.:** 5051278075974

**PRODUCT NARRATIVE:** IP44 - Controls Room Temperature



## TECHNICAL DRAWING



## FEATURES & BENEFITS

- IP66 can be used in zones 1 & 2
- Electronic control allows a regulated surface temperature of **56°C** to be maintained, irrespective of whether rail is covered with towel or not, and irrespective of ambient room temp.
- When covered with towels this results in a reduction in the energy consumption.
- Brass body of element is chromed giving an attractive and sturdy installation.
- LST (Low Surface Temperature) option available

## PRODUCT SPECIFICATION

**HEIGHT (MM):** 370

**WIDTH (MM):** 10

**DEPTH (MM):** 10

**WEIGHT (KG):** 1.5

**WOLSELEY CAT. NO.:** 262535

**SUPPLIERS PRODUCT CODE:** 5051278020448

### FULL PRODUCT DESCRIPTION:

Electronique Element 200W Chrome Finish

**PRODUCT TYPE:** Electric Element

**SUPPLIER PART NO.:** EE001A ELQ200

### ORIGINAL SUPPLIER PRODUCT DESCRIPTION:

ELEMENT 1 - 200W ELECTRONIQUE

**BAR-CODE / EAN NO.:** 5051278020448

**PRODUCT NARRATIVE:** IP66 - Regulates surface temperature

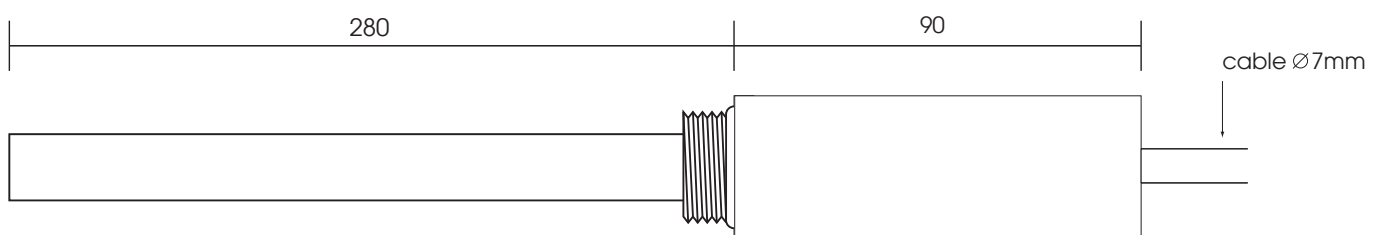
# WOLSELEY

---

UK



## TECHNICAL DRAWING



## FEATURES & BENEFITS

- IP66 can be used in zones 1 & 2
- Electronic control allows a regulated surface temperature of **56°C** to be maintained, irrespective of whether rail is covered with towel or not, and irrespective of ambient room temp.
- When covered with towels this results in a reduction in the energy consumption.
- Brass body of element is chromed giving an attractive and sturdy installation.
- LST (Low Surface Temperature) option available

## PRODUCT SPECIFICATION

**HEIGHT (MM):** 510

**WIDTH (MM):** 10

**DEPTH (MM):** 10

**WEIGHT (KG):** 1.5

**WOLSELEY CAT. NO.:** 262536

**SUPPLIERS PRODUCT CODE:** 5051278020455

### FULL PRODUCT DESCRIPTION:

Electronique Element 400W Chrome Finish

**PRODUCT TYPE:** Electric Element

**SUPPLIER PART NO.:** EE001A ELQ400

### ORIGINAL SUPPLIER PRODUCT DESCRIPTION:

ELEMENT 1 - 400W ELECTRONIQUE

**BAR-CODE / EAN NO.:** 5051278020455

**PRODUCT NARRATIVE:** IP66 - Regulates surface temperature

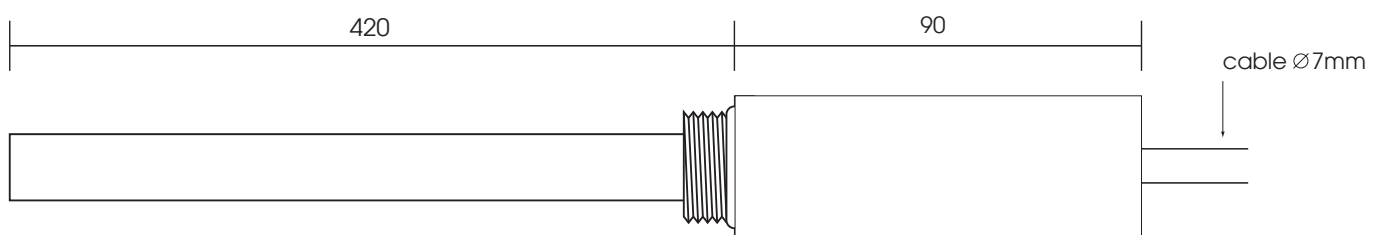
# WOLSELEY

---

## UK



## TECHNICAL DRAWING



## FEATURES & BENEFITS

- IP55 can be used in zones 1 & 2
- Electronic control allows a regulated surface temperature of **56°C** to be maintained, irrespective of whether rail is covered with towel or not, and irrespective of ambient room temp.
- When covered with towels this results in a reduction in the energy consumption.
- Brass body of element is chromed giving an attractive and sturdy installation.
- Surface temperature of rail can be electronically controlled.
- Small belt lens shows selected setting by LED's
  - 2 to 3 LED's = 42C – 50C
  - 3 to 4 LED's = 50C – 57C
  - 4 to Max = 57C – 65C
  - Full anti-clockwise = Standby mode/Off
- Large temperature control provides ease and safe use, even with wet hands
- Energy use is directly proportionate to the position of the temperature control
- A setting of "just on 3" can give a saving of 50% compared to a non regulated element.

## PRODUCT SPECIFICATION

**HEIGHT (MM):** 395

**WIDTH (MM):** 10

**DEPTH (MM):** 10

**WEIGHT (KG):** 1.5

**WOLSELEY CAT. NO.:** 262537

**SUPPLIERS PRODUCT CODE:** 5051278103813

### FULL PRODUCT DESCRIPTION:

Variheat Element 200W Chrome Finish

**PRODUCT TYPE:** Electric Element

**SUPPLIER PART NO:** EE001B ELQ200

### ORIGINAL SUPPLIER PRODUCT DESCRIPTION:

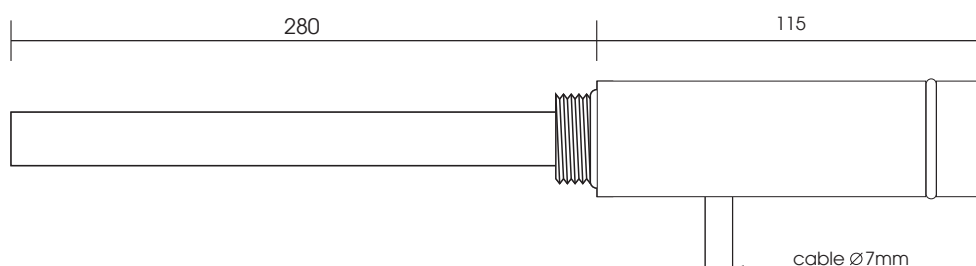
ELEMENT 1 - 200W ELQ WITH LED

**BAR-CODE / EAN NO.:** 5051278103813

**PRODUCT NARRATIVE:** IP55 - Controls Room Temperature



## TECHNICAL DRAWING





## FEATURES & BENEFITS

- IP55 can be used in zones 1 & 2
- Electronic control allows a regulated surface temperature of **56°C** to be maintained, irrespective of whether rail is covered with towel or not, and irrespective of ambient room temp.
- When covered with towels this results in a reduction in the energy consumption.
- Brass body of element is chromed giving an attractive and sturdy installation.
- Surface temperature of rail can be electronically controlled.
- Small belt lens shows selected setting by LED's
  - 2 to 3 LED's = 42C – 50C
  - 3 to 4 LED's = 50C – 57C
  - 4 to Max = 57C – 65C
  - Full anti-clockwise = Standby mode/Off
- Large temperature control provides ease and safe use, even with wet hands
- Energy use is directly proportionate to the position of the temperature control
- A setting of "just on 3" can give a saving of 50% compared to a non regulated element.

## PRODUCT SPECIFICATION

**HEIGHT (MM):** 535

**WIDTH (MM):** 10

**DEPTH (MM):** 10

**WEIGHT (KG):** 1.5

**WOLSELEY CAT. NO.:** 262538

**SUPPLIERS PRODUCT CODE:** 5051278103820

### FULL PRODUCT DESCRIPTION:

Variheat Element 400W Chrome Finish

**PRODUCT TYPE:** Electric Element

**SUPPLIER PART NO:** EE001B ELQ400

### ORIGINAL SUPPLIER PRODUCT DESCRIPTION:

ELEMENT 1 - 400W ELQ WITH LED

**BAR-CODE / EAN NO.:** 5051278103820

**PRODUCT NARRATIVE:** IP55 - Controls Room Temperature



## TECHNICAL DRAWING

