

## Bardot single ended bath - rounded

nabis

**Product code –**  
**1700x700 – A03204**  
**1600x700 – A03205**  
**1500x700 – A03206**

The nabis Bardot is simplistic, beautiful and designed to provide the utmost comfort with a single backrest. It comes without pre-drilled tap holes, allowing you free choice over your accompanying tap placement.



### Features and benefits

- Sanitaryware grade cast acrylic
- 25 year warranty
- Modern design
- Single ended bath
- Manufactured in the UK
- Front and end panel available

### Specifications

<b>Thickness</b>		4mm
<b>Encapsulated baseboard</b>		Yes
<b>Water capacity</b>	<b>1500x700</b>	160 litres
	<b>1600x700</b>	170 litres
	<b>1700x700</b>	180 litres
<b>Full rim support</b>		Yes
<b>Pre-drilled waste and overflow</b>		Yes
<b>Tap holes</b>		0
<b>Fittings included</b>		Yes
<b>Colour</b>		White
<b>Constructed to BS EN 198</b>		Yes
<b>Constructed to BS EN 14516</b>		Yes



Plumbing

Heating

Cooling

Drainage

Pipe

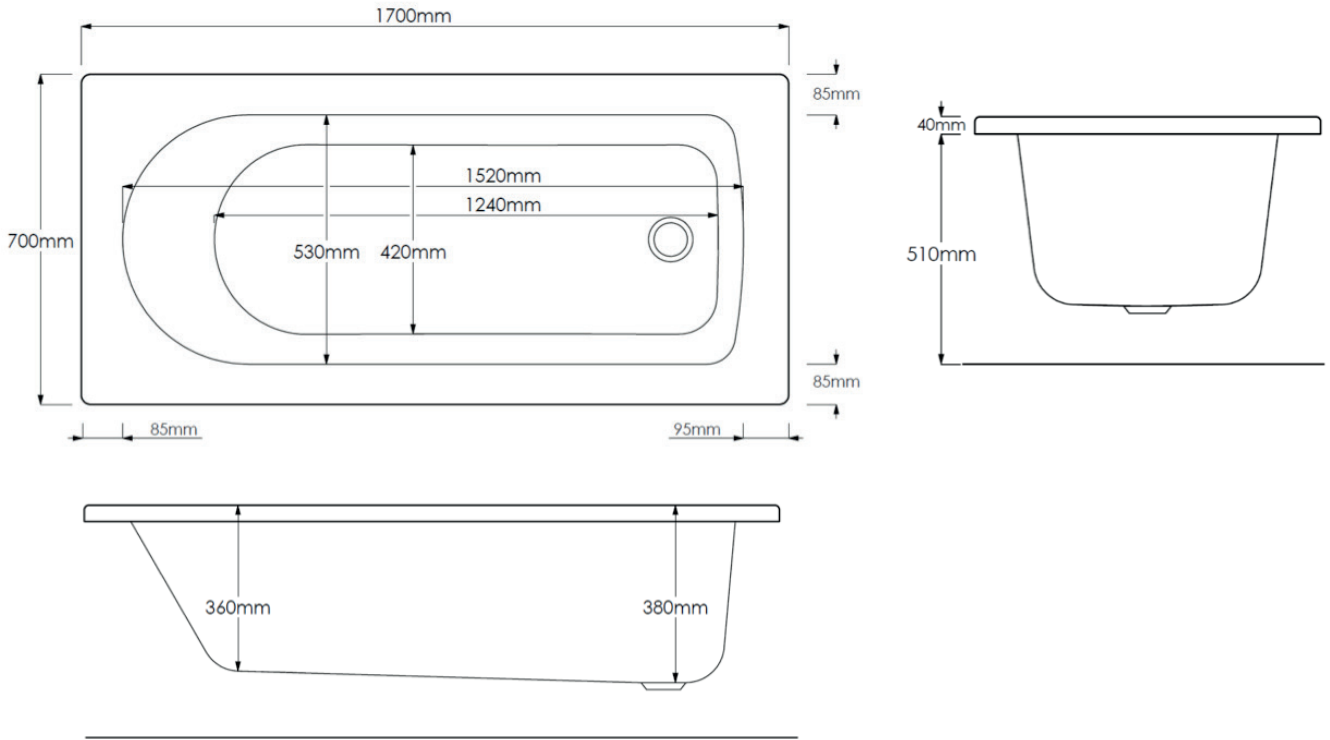
Parts

**WOLSELEY**

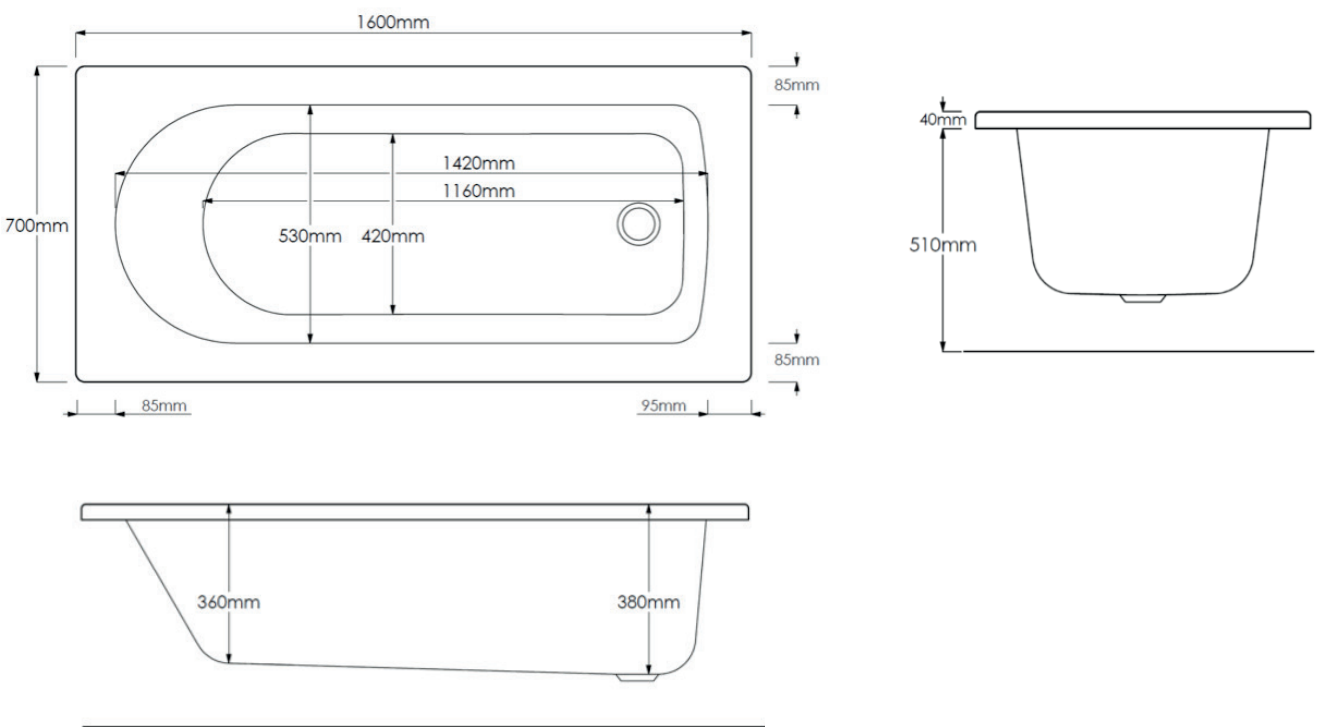


**The Specialist Merchant**

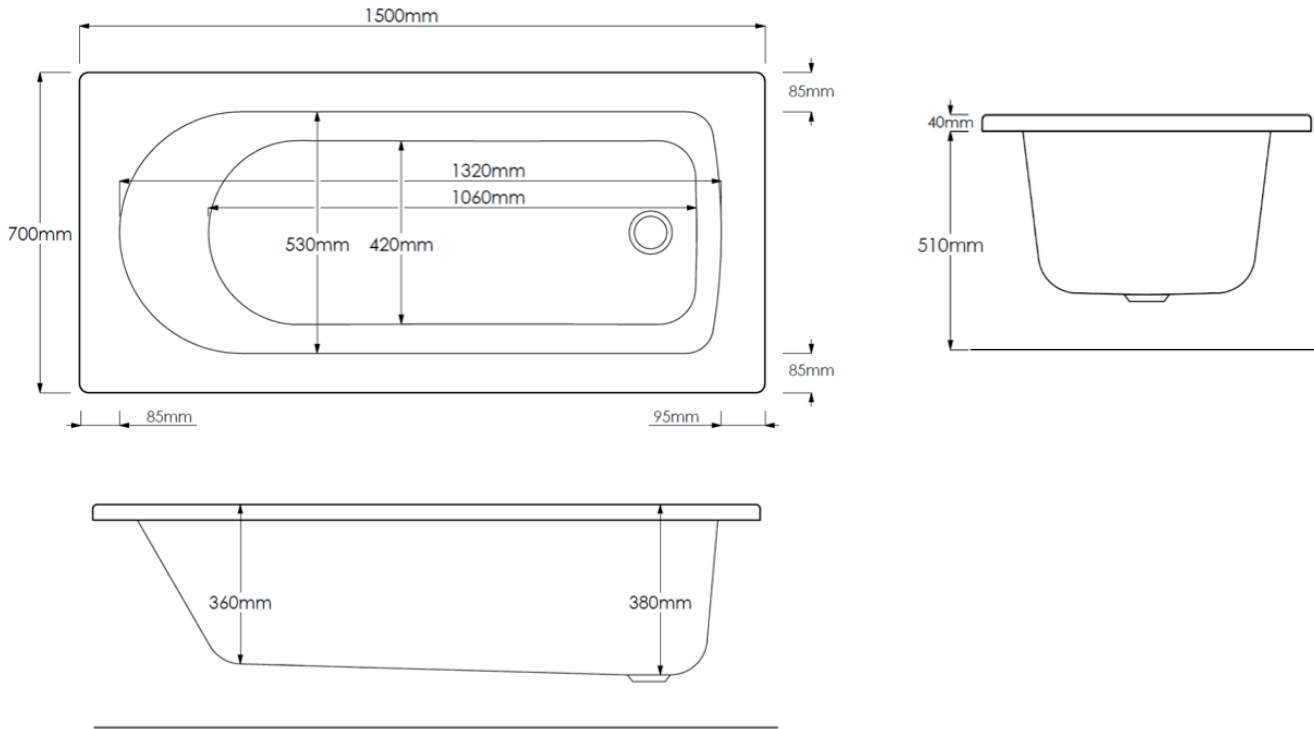
### Line drawing A03204



### Line drawing A03205



## Line drawing A03206

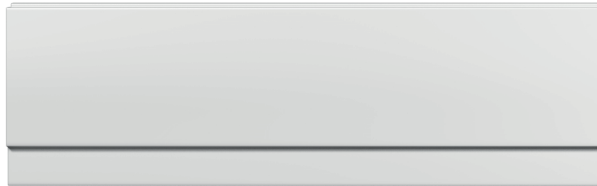


### Don't forget!



A03234

**End panel**  
(700mm)



A03230, A03231 & A03232

**Front panel**  
(1700mm, 1600mm & 1500mm)

The information contained on this page was correct at date of issue. Fitting dimensions are provided as a guide only. Some variation may occur due to manufacturing tolerances. We pursue a policy of continuing improvement in design and performance of products and so reserve the right to change specifications without prior notice.

Version number 1

