



## Swan standard mono sink mixer tap



**Product code – C58107**

Exclusive to Wolseley; the Swan Range of taps and mixers are manufactured to the highest possible standards and are designed with a focus on functionality. The result is a range of kitchen and bathroom taps that provides the user with a high quality, hard-wearing and dependable product that's backed up with a 5-year guarantee for extra peace of mind.



### Features:

- Dual flow – hot and cold water kept separate throughout the tap to the outlet
- Metal fixing nut

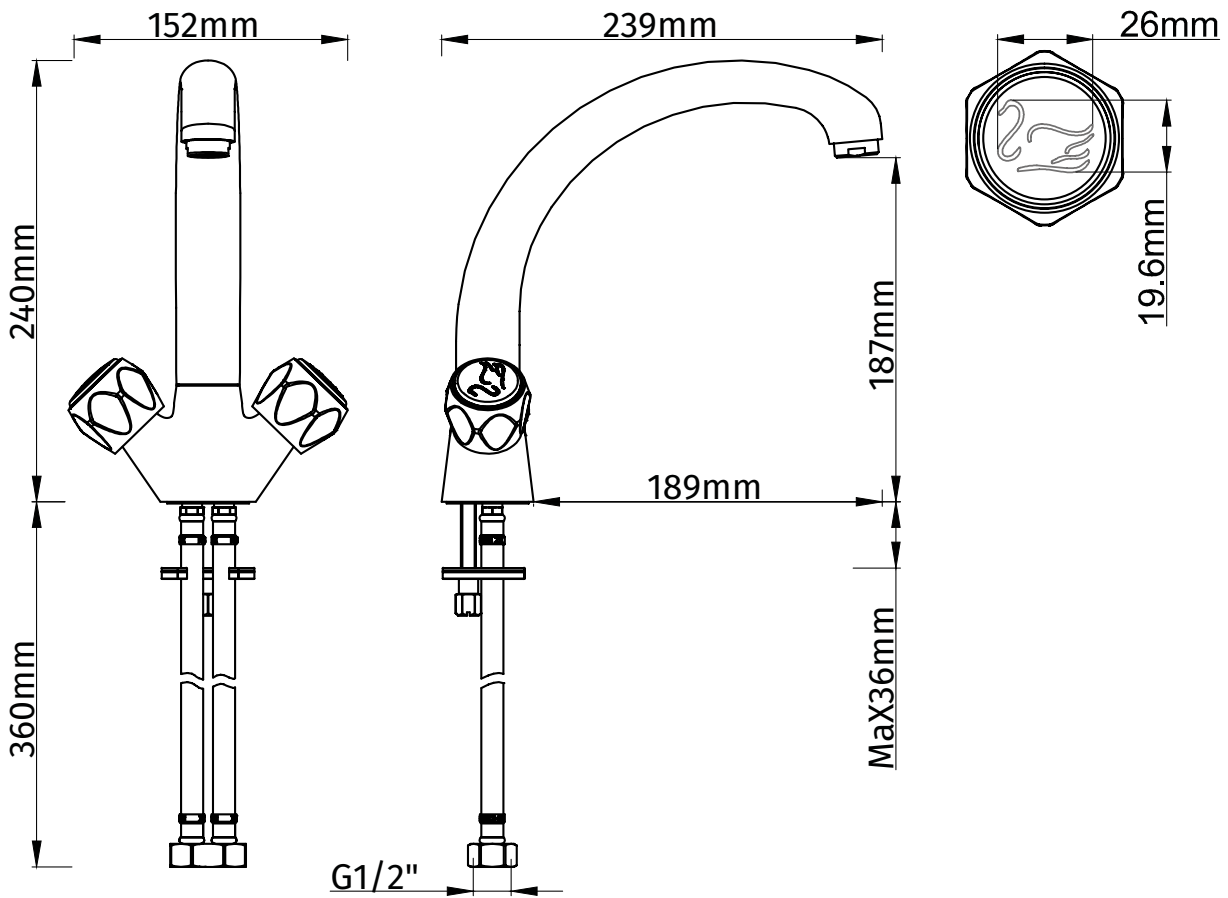
Specification	
Product type	Monobloc sink mixer
Main construction material	Brass
Mount type	Deck
Handle type	Round
Connection inlet	15mm flexible tails
Number of tap holes	1
Valve/cartridge type	1/2" standard valves
Plumbing system requirements	All, ideally balanced
Working pressure range	Min 0.2 bar; Max 5.0 bar
Maximum hot water temperature °C	65
Maximum static pressure (bar)	10
Isolation included	No
Finish/colour	Chrome

Flow rates						
System pressure (bar)	0.2	0.5	1	2	3	5
Hot	8.2	13.3	18.8	26.9	33	41.6
Cold	6.8	12	17.3	24.7	30.7	39.7
Mixed	13.5	22.2	31.5	44.9	55.3	70



The Specialist Merchant

## Dimensions (Measurements in mm)



[wolseley.co.uk](http://wolseley.co.uk)

The information contained on this page was correct at date of issue. Fitting dimensions are provided as a guide only. Some variation may occur due to manufacturing tolerances. We pursue a policy of continuing improvement in design and performance of products and so reserve the right to change specifications without prior notice.

Version number 1.0



[wolseley.co.uk](http://wolseley.co.uk)