

Installation and User Manual

24V Myson Room Thermostat, 63050507401

Myson External Floor Sensor, 63050508401

1. Installation

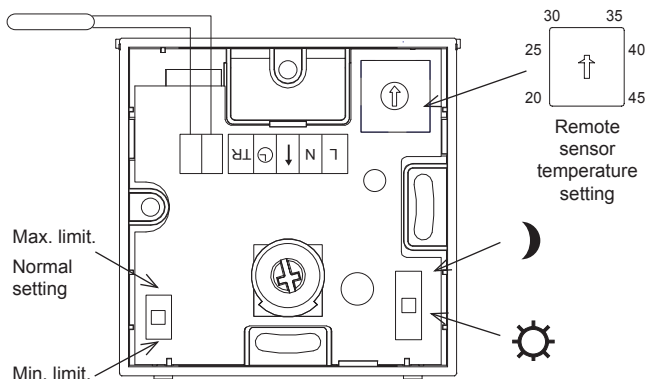


Fig. 1 Thermostat

Connection

Terminal L	→	Phase 24V
Terminal N	→	Neutral 24V
Terminal ↑	→	Switched phase
Terminal	→	Input for external floor sensor
Terminal TR	→	Not Used
Terminal ☉	→	Not Used

2. Floor sensor

Mounting

The floor sensor is recommended to be placed in an installation pipe.

The floor sensor should be placed between two pipes and near to the floor surface.

Setting

Floor temperature limitation: 20-45°C

Max.: Wooden floor (see 3.1)

Min.: Tiles (see 3.2)

Technical data

Cable length 3m

NTC sensor 30kΩ at 25°C

3. Temperature settings

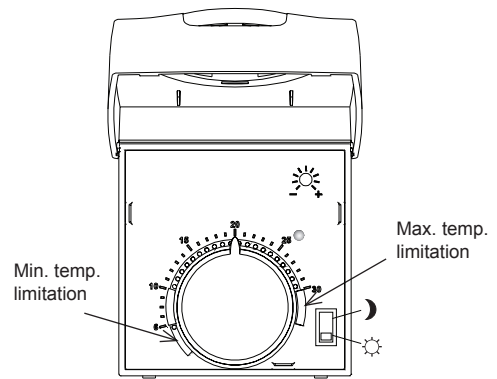


Fig. 3 Setting the temperature

Temperature Settings

The desired temperature is set with the turning knob on the front.

☉ Comfort temperature (fig. 3)

☾ Manual setback of 4°C (fig. 3)

Minimum and maximum temperature

Blue and Red pins for min/max. temp. limitation (mechanical), see fig. 3.

The use of external floor sensor

If a remote sensor is used, set the limit either the maximum or minimum temperature, see fig. 3.

The floor sensor overrides the room temperature setting on the front of the thermostat.

3.1. Settings of max. temperature

- Max. settings is used to protect wooden floors against excessive heating.
- Floor sensor is connected to the terminal.
- The internal sliding switch is set in position max. The temperature setpoint is indicated by an arrow in the potentiometer → the temperature is now limited upwards.

3.2. Settings of min. temperature

- Min. settings is used to secure a min. temperature in tile floors in e.g. bathrooms and kitchens.
- Floor sensor is connected to the terminal.
- The internal sliding switch is set in position min. The temperature setpoint is indicated by an arrow in the potentiometer → the temperature is now limited downwards.

4. Mounting and placement

To mount the thermostat the lid is carefully opened with a screwdriver (Fig. 4a)

A thermostat must not be placed on an outer wall, or close to heating sources e.g. tv-set, stereo, fireplace etc. Avoid placements where the thermostat is exposed to direct sunlight or draft.

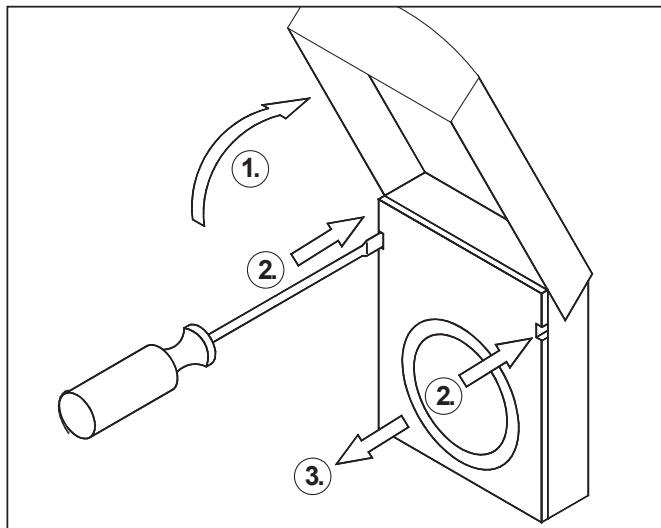


Fig. 4a Mounting the thermostat

In very damp and steamy rooms, the thermostat should be located as far away as possible from the source of moisture. (Fig. 4b)

The thermostat is recommended to be placed about 1,5 metres above the floor surface. (Fig. 4b)

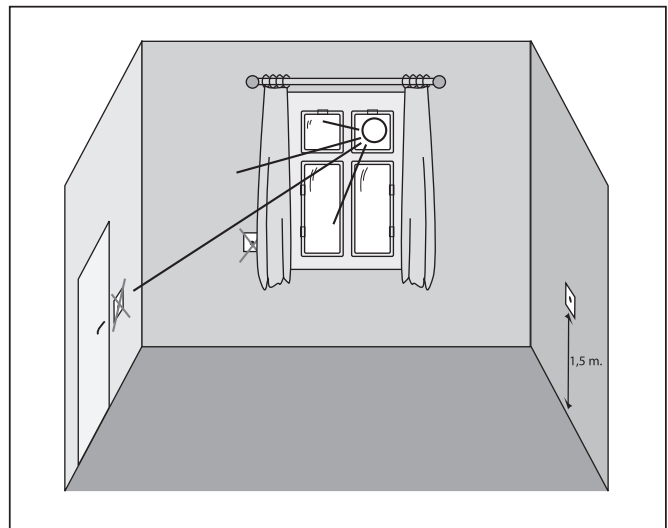


Fig. 4b Placing the thermostat

5. Dimensions

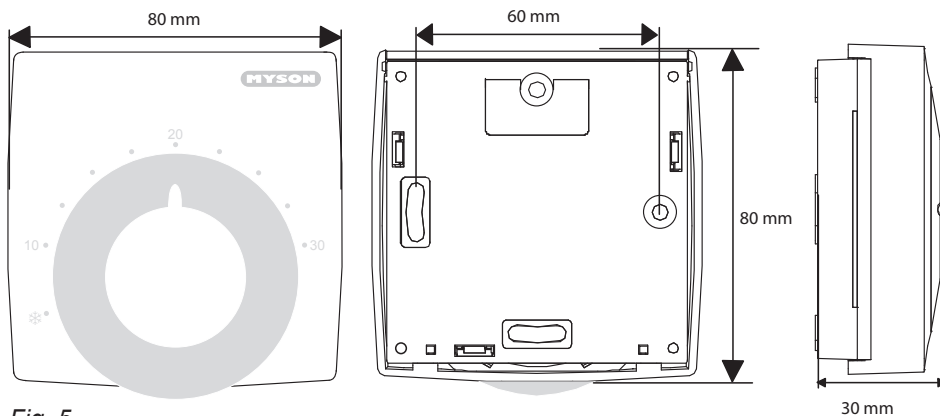


Fig. 5

6. Technical data

Voltage:	24V AC(50-60Hz)
Min. / Max. voltage:	19-30 VAC
Temperature range:	6-30 °C
Hysteresis:	0,5 °C
Marking:	CE
Humidity max.:	90%
Output current:	Max. 2,0 A peak
Output for:	NC actuators
Cord diameter:	Min. 0,3 mm ² (Dimensions according to current conditions)
Housing:	IP20

MYSON

Myson Ltd
Eastern Avenue · Team Valley
Gateshead · Tyne & Wear
NE11 0PG

Tel: 0191 491 7596 · Fax: 0191 491 7597

E-Mail: underfloor@myson.co.uk
Website: www.myson.co.uk